



ME-AGS-S

Automatic Generator Start
For Standalone Systems



Owner's Manual

Disclaimer of Liability

Since the use of this manual and the conditions or methods of installation, operation, use and maintenance of the ME-AGS-S (Auto Generator Start - Standalone) is beyond the control of Magnum Energy Inc., this company does not assume responsibility and expressly disclaims liability for loss, damage or expense, whether direct, indirect, consequential or incidental, arising out of or anyway connected with such installation, operation, use, or maintenance.

Due to continuous improvements and product updates, the images shown in this manual may not exactly match the unit purchased.

Restrictions on Use

The ME-AGS-S may only be used in life-support devices or systems with the express written approval of Magnum Energy. Failure of the ME-AGS-S can reasonably be expected to cause the failure of that life-support device or system, or to affect the safety or effectiveness of that device or system. If the ME-AGS-S fails, it is reasonable to assume that the health of the user or other persons may be endangered.

Copyright Notice

Copyright © 2004, 2010 by Magnum Energy, Inc. All rights reserved. Permission to copy, distribute, and/or modify this document is prohibited without express written permission by Magnum Energy, Inc.

Safety Symbols

To reduce the risk of electrical shock, fire, or other safety hazard, the following safety symbols have been placed throughout this manual to indicate dangerous and important safety instructions.



WARNING: This symbol indicates that failure to take a specified action could result in physical harm to the user.



CAUTION: This symbol indicates that failure to take a specified action could result in damage to the equipment.



Info: This symbol indicates information that emphasizes or supplements important points of the main text.

IMPORTANT PRODUCT SAFETY INSTRUCTIONS

This manual contains important safety instructions that must be followed during the installation and operation of this product. Read all instructions and safety information contained in this manual before installing or using this product.



WARNINGS:

- All electrical work must be performed in accordance with local, state, and federal electrical codes.
- This product is designed for indoor / compartment installation. It must not be exposed to rain, snow, moisture, or liquids of any type.
- Use insulated tools to reduce the chance of electrical shock or accidental short circuits.
- Remove all jewelry such as rings, watches, bracelets, etc., when installing or performing maintenance on the ME-AGS-S and generator system.
- Disconnect the generator's starting battery to prevent accidental starting during installation of this product.

List of Contents

1.0 Introduction	1
1.1 ME-AGS-S Components/Features	2
2.0 Installation	4
2.1 Installation Requirements	4
2.2 Required Components and Tools	6
2.3 Mounting Procedure	6
2.4 Connecting the Communication Cable	8
2.5 ME-AGS-S Terminal Block Wiring	9
2.6 Warning Label	13
2.7 Common ME-AGS-S Generator Wiring Diagrams	13
3.0 Setup	17
3.1 Internal Settings	17
3.2 External Settings	19
3.3 AGS Functional Tests	21
4.0 Operation	22
4.1 AGS Controller Operation LED Indicators	22
4.2 Remote Switch Operation	23
4.3 AGS System Operation	24
5.0 Troubleshooting	25
6.0 Limited Warranty	26
6.1 How to Receive Repair Service	27
Appendix	28

List of Figures

Figure 1-1, ME-AGS-S Remote Switch Features	2
Figure 1-2, ME-AGS-S Communications Cable	2
Figure 1-3, ME-AGS-S Controller Features	3
Figure 2-1, ME-AGS-S System Diagram	5
Figure 2-2, Controller Dimensions	7
Figure 2-3, Remote Dimensions	7
Figure 2-4, Communication Cable Connection	8
Figure 2-5, Communication Cable (Data Type Cable)	8
Figure 2-6, Generator Run Sense Options	10
Figure 2-7, Wiring to the AGS Controller Terminal Block	12
Figure 2-8, Warning Label	13
Figure 2-9, Two-wire Start Type Generators	14
Figure 2-10, Three-wire Momentary Type Generators	15
Figure 2-11, Three-wire Maintain Type Generators	16
Figure 3-1, Inside the AGS Controller	17
Figure 3-2, DC Voltage Settings	17
Figure 3-3, External Settings	19
Figure 4-1, Controller Front Panel Controls and Indicators	22
Figure 4-2, Remote Switch Front Panel Controls and Indicators	23

List of Tables

Table 3-1, GEN TYPE Settings	18
Table 3-2, ME-AGS-S Default Settings	19
Table 6-1, Troubleshooting Guide	25

1.0 Introduction

1.0 Introduction

The Automatic Generator Start - Standalone version (**ME-AGS-S**) from Magnum Energy is designed as a standalone device. It will automatically start your generator based on low battery voltage and/or a high temperature condition.



Info: This manual is for the ME-AGS-S with revision 5.0 or higher; see Figure 3-1 on page 17 for information on where to locate your revision level.



Info: If you are using a Magnum Inverter/Charger (provided with a network port) and a ME-RC or ME-ARC remote, use the **ME-AGS-N** (AGS - Network version) for full network capability of the AGS system.

This AGS is used to continuously monitor your battery system and/or the surrounding area temperature, and to automatically start the generator when the battery requires charging and/or power is needed to run an air conditioner to cool down the surrounding area.

The temperature turn-on feature is useful in many applications. For example; if you have an RV (Recreational Vehicle) coach in a hot environment, the AGS monitors the coach temperature and turns on the generator to power the air conditioner. This allows you to leave pets and precious items in your coach while you enjoy a day away golfing, touring, or just sightseeing - all the while knowing your coach will stay cool and comfortable. Even if you don't have pets, there's nothing better than returning to a nice cool coach while dry camping in hot weather. Plus, no more worrying about dead batteries.

The AGS System includes a controller with on-board adjustments and interfaces with a user-friendly remote control switch. The controller provides the wiring interface for the battery bank and generator start/stop circuits. It has adjustments for setting the generator's run time, high temperature start, and low battery voltage start; and if needed, the "Clock" and "Quiet Time" adjustments can be set to comply with RV park and rest area nighttime low noise requirements. The remote switch allows testing and activating the AGS system and provides a LED indicator to display AGS system status information.

This AGS is compatible with most AC or DC generators with either two-wire or three-wire start controls; such as Onan, Power Tech, Generac, Martin, Kohler, Honda, Westerbeke, Yamaha, and many others. A list of generators that have been successfully used with the AGS along with their respective wiring diagrams can be found at www.magnumenergy.com/GenWiringDiagrams.htm

The Standalone AGS is equipped with the following features:

- Compatible with 12, 24, or 48 volt systems
- Easily adjustable settings for run-time, low voltage, and high temperature start
- Quiet time setting available to prevent generator operation during nighttime hours
- Compatible with any inverter/charger based system
- Compatible with most AC or DC generators with either two-wire or three-wire start controls
- TEST switch provides immediate confirmation of installation wiring
- Removable 8-port terminal block - for easy wiring and power-down
- Front panel LED indicators for gen start/stop status and gen fault

1.1 ME-AGS-S Components/Features

The ME-AGS-S is equipped with the following components and features:

- AGS Remote Switch
- Communications Cable
- AGS-S Controller

1.1.1 AGS Remote Switch

The AGS Remote Switch is the user interface display and connects to the AGS controller thru the communications cable.

- 1 Selector Switch** - switch that allows the AGS system to be enabled for automatic generator operation and test for correct wiring.
 - ENABLE - activates the AGS to monitor voltage and/or temperature to determine when to automatically start the generator.
 - OFF - disables the AGS generator start/stop functions.
 - TEST - initiates an automatic generator start/stop sequence for testing generator wiring and operation.
- 2 STATUS Indicator** - this bi-color (green or red) LED indicator illuminates to provide information on the AGS operation.
- 3 Temperature Sensor (internal)** - location of the internal sensor used to start the generator based on high temperature.

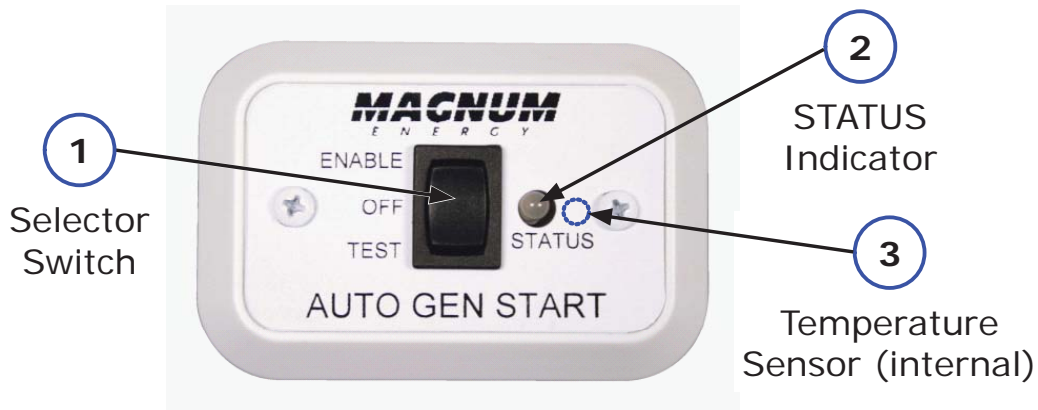


Figure 1-1, ME-AGS-S Remote Switch Features

1.1.2 AGS Communication Cable

A six-conductor, 25-foot cable used to carry power and data between the remote and the controller.



Figure 1-2, ME-AGS-S Communications Cable

1.0 Introduction

1.1.3 AGS Controller

The Controller provides adjustments and the generator's wiring connections.

- 1 **AGS Adjustments (x5)** - The thumb wheel adjustments allow the AGS to be configured to your specific system preferences.
 - RUN TIME HOURS - determines the length of time the generator will run once the generator has automatically started.
 - START TEMP °F - allows you to enable and set a high temperature value that will cause the generator to automatically start.
 - START VOLTS DC - allows you to enable and set a low battery voltage value that will cause the generator to automatically start.
 - CLOCK AM/PM - determines the correct time which in turn allows the Quiet Time feature to function correctly.
 - QUIET TIME PM/AM - used to prevent the generator from starting during specific hours.
- 2 **STATUS Indicator** - this bi-color (green or red) LED indicator illuminates to provide information on the AGS operation.
- 3 **TEST Switch** - a momentary pushbutton switch that allows the AGS system to be tested for correct wiring and generator start/stop operation.
- 4 **Wiring Terminal Block** - this 8-port friction-fit connector powers the AGS and connects the generator's start/stop and run sense wires.
- 5 **Mounting Flange** - used to secure the inverter to a shelf or wall.
- 6 **READY Indicator** - this green LED indicator illuminates to indicate that the AGS is powered and the remote switch is connected.
- 7 **REMOTE Connection Port (purple label)** - a RJ12 port which provides the connection point for the remote switch.

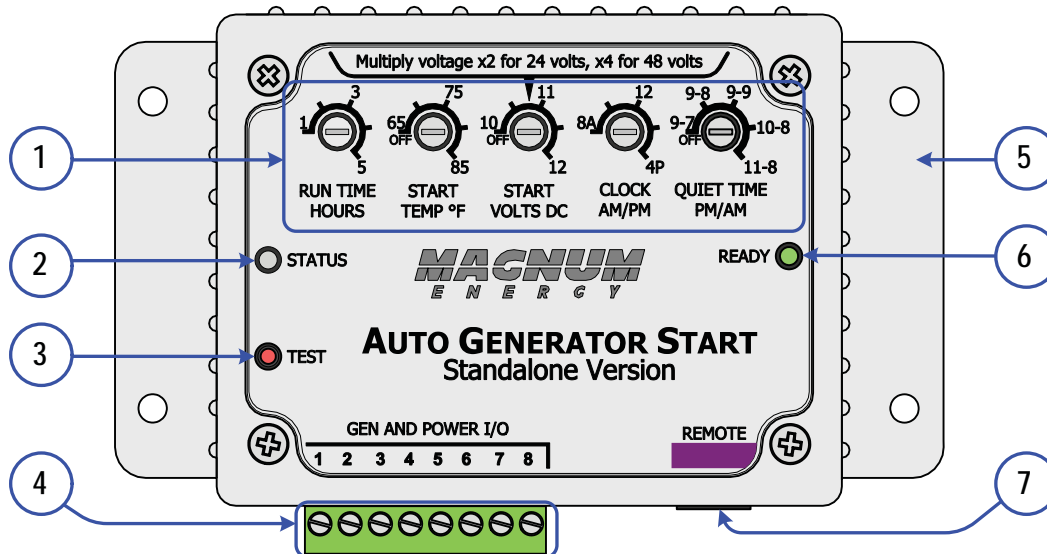


Figure 1-3, ME-AGS-S Controller Features

2.0 Installation

Installing the ME-AGS-S is a simple process. Before installing, read this entire section to be aware of all aspects of the installation; then, you can thoroughly plan the details to ensure the overall system requirements are accomplished. To assist you in planning and designing your installation, review the basic system diagram shown in Figure 2-1.



WARNING: The ME-AGS-S is not an ignition-protection rated device and should not be installed in any location that requires ignition-protected equipment. To prevent fire or explosion, do not install the Auto Gen Start in any area with extremely flammable liquids like gasoline or propane; or, in an area that contains connections between components of a fuel system.



CAUTION: Installations should be performed by qualified personnel, such as a licensed or certified electrician. It is the installer's responsibility to determine which safety codes apply and to ensure that all applicable installation requirements are followed. Applicable installation codes vary depending on the specific location and application.



CAUTION: Review the "Important Product Safety Information" on the front inside cover page before any installation.

2.1 Installation Requirements

Review the following requirements prior to performing the installation:

- For the AGS to automatically start and stop the generator properly, the generator must include an electric start and an automatic choke. To prevent generator damage and obtain reliable operation, use generator models designed for unattended operation. These models should also be equipped with remote operation connections and have protective systems that cause the generator to shut down from low oil pressure, over-temperature, starter lockout, and over-crank conditions.
- The ME-AGS-S controller is connected to the switch by a 25' communications cable. Before installing the ME-AGS-S and connecting any wires, determine: 1) the communications cable route throughout the home or vehicle/boat from the controller to the switch, 2) the start/stop signal wire route from the AGS controller to the generator, and 3) the wire route from the AGS controller to the monitored battery bank.



Info: Two pigtail adapters (ME-PT1 and ME-PT2) are available to externally enable the ME-AGS-S to automatically turn the generator on/off through a manually controlled switch or an automatically controlled switching device. See Appendix A for more information.

- Always check for existing electrical, plumbing, or other areas of potential damage BEFORE drilling or cutting into walls.
- If installing this remote in a boat, RV, or truck, ensure the conductors passing through walls, bulkheads, or other structural members are protected to minimize insulation damage such as chafing, which can be caused by vibration or constant rubbing.
- Do not mount the AGS controller in a closed battery compartment or in an area where water or any other liquid can enter the AGS and cause shorting or corrosion.
- The AGS should be wired to not interfere with your air conditioner controls or the manual start/stop switches on your generator.

2.0 Installation

ME-AGS-S

Automatic Generator Start (Standalone version)

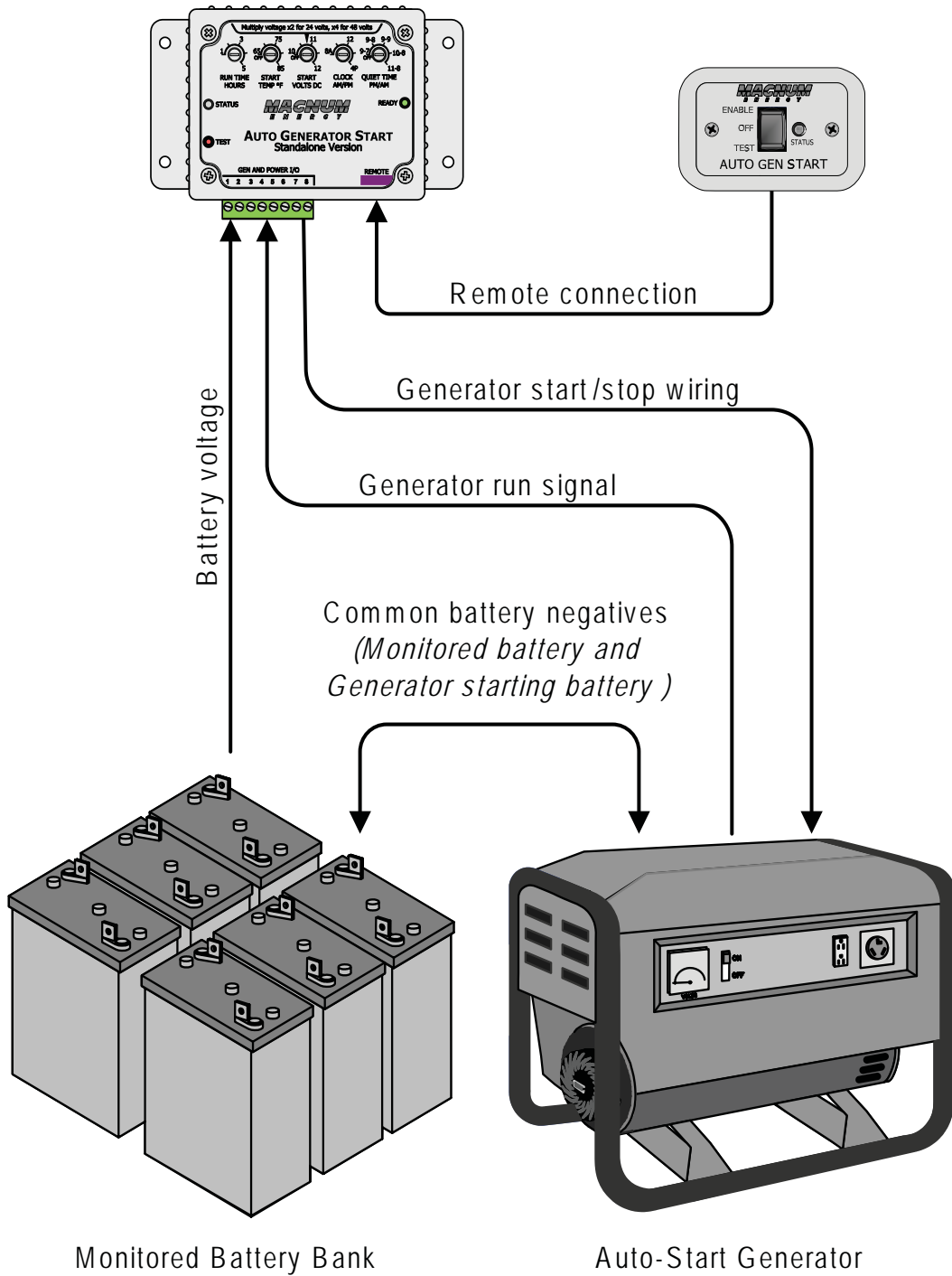


Figure 2-1, ME-AGS-S System Diagram

2.2 Required Components and Tools

2.2.1 List of supplied components in the ME-AGS-S:

- Owner's Manual
- AGS controller (with four #8 x 3/4" Phillips mounting screws)
- AGS switch/bezel (with two #6 x 1" Phillips mounting screws)
- 25 ft communications cable

2.2.2 List of other required equipment and materials:

- 16 to 12 AWG wire for connecting the ME-AGS-S to the generator start/stop circuit and to the battery bank
- In-line fuse holders (with 5-amp DC fuse)

2.2.3 Tools that may be required to install the ME-AGS-S:

- Phillips screwdriver (#2)
- Wire stripper
- Drill
- Flat-blade screwdrivers (1/4" and 1/8" blades)
- Cut-out tool (knife/saw)
- Level
- Drill bits (7/64" & 1/8")
- Pencil

2.3 Mounting Procedure

2.3.1 Mounting the AGS Controller

1. Select a location that is clean, dry, and protected from extreme temperatures to mount the controller. Wiring is much easier if the controller is mounted within easy access to the generator's remote switch wiring. Refer to Figure 2-2 for the controller dimensions.



Info: The controller/switch can be mounted in any direction; however, allow ample room to access the switch and adjustment dials, and to view the LEDs for operational status and troubleshooting.

2. Remove the green 8-pin friction fit connector from the controller by pulling it straight out. Wait to plug this 8-pin connector back into the AGS controller until after the installation is completed and the **AGS Functional Tests** are performed in Section 3.3.

3. Mount the AGS controller using the four #8 x 3/4" screws provided.

2.3.2 Mounting the AGS Remote Switch

1. Select a location that is convenient, clean, dry, and protected from extreme temperatures to mount the remote switch.



Info: The temperature sensor used to activate the temperature turn-on feature is located on the back of the AGS switch. If using the temperature turn-on feature, it is vital that the switch be placed where the room temperatures can be accurately sensed by the sensor. DO NOT mount the switch near window drafts, or heating and air conditioning ducts, and avoid mounting it on exterior walls.

2. Cut a hole for the switch, see Figure 2-3 for switch and cutout dimensions.

3. Plug the communications cable into the RJ12 connector on the back of the AGS Switch (see Section 2.4) and feed the communication cable (6-conductor data cable) through the opening and route it to the AGS Controller.



Info: Use care in routing the cable to insure the cable does not become pinched or cut by rough or sharp edges. Leave enough slack to allow movement of the cable once the installation is complete.

4. Mount the switch with its bezel to the wall using the two #6 x 1" screws provided.

2.0 Installation

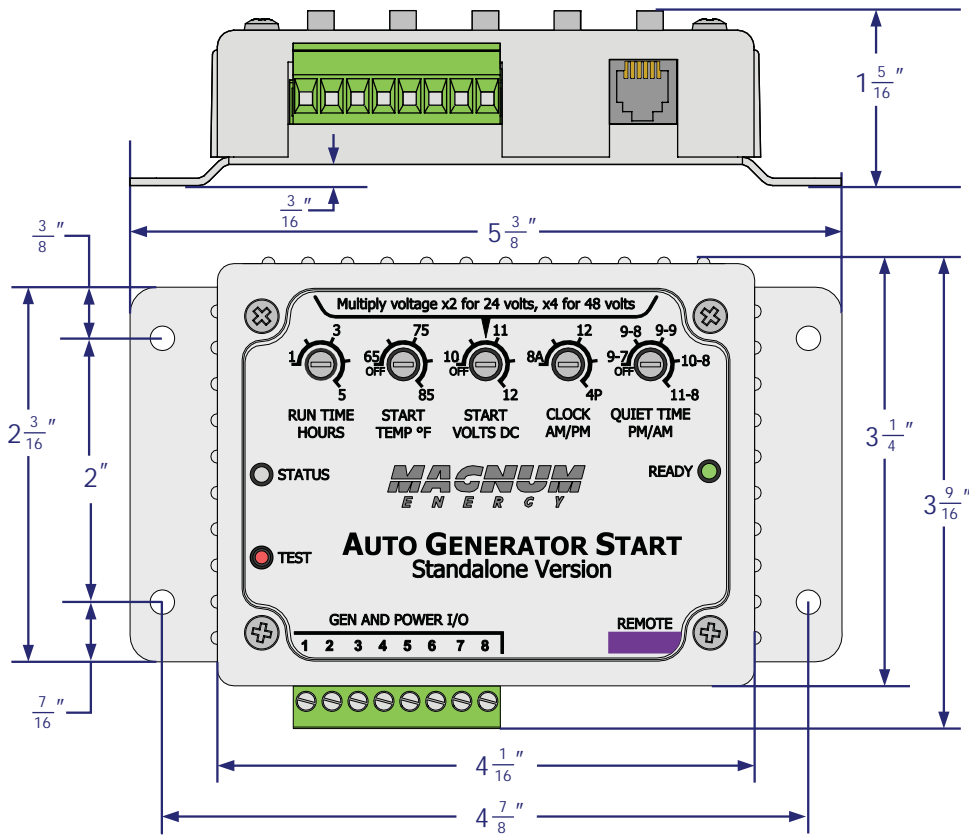


Figure 2-2, Controller Dimensions

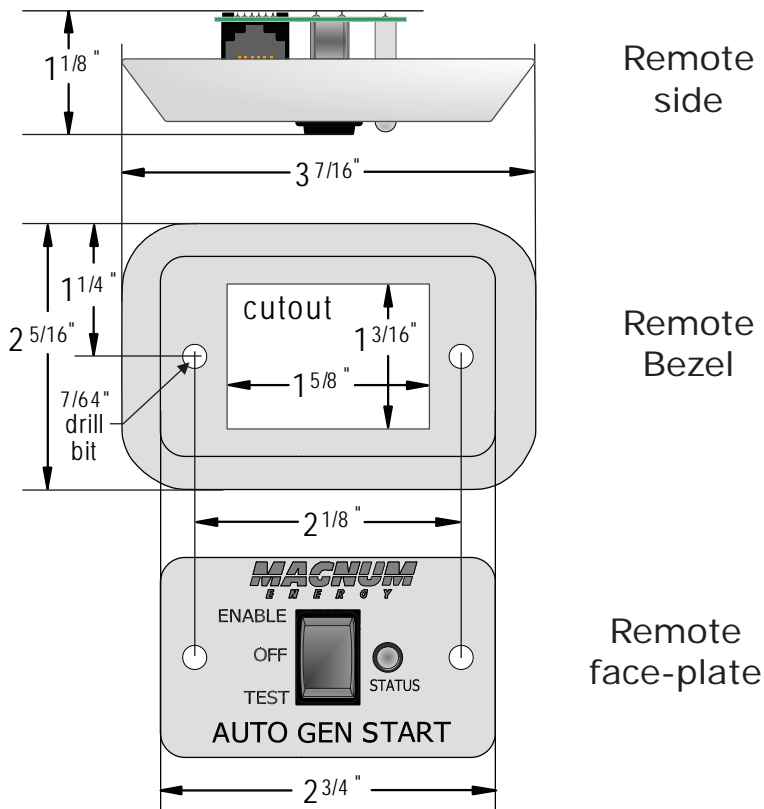


Figure 2-3, Remote Dimensions

2.4 Connecting the Communication Cable

After connecting one end of the communication cable to the back of the AGS remote switch, connect the other end of the cable to the REMOTE port (purple label) on the AGS controller as shown in Figure 2-4.



Info: The communication cable is a 6-conductor, flat, data standard with RJ12 (6-position/6-wire) connectors on each end (see Figure 2-5).



Info: The 25' communications cable may be extended to a maximum of 250 feet if needed.

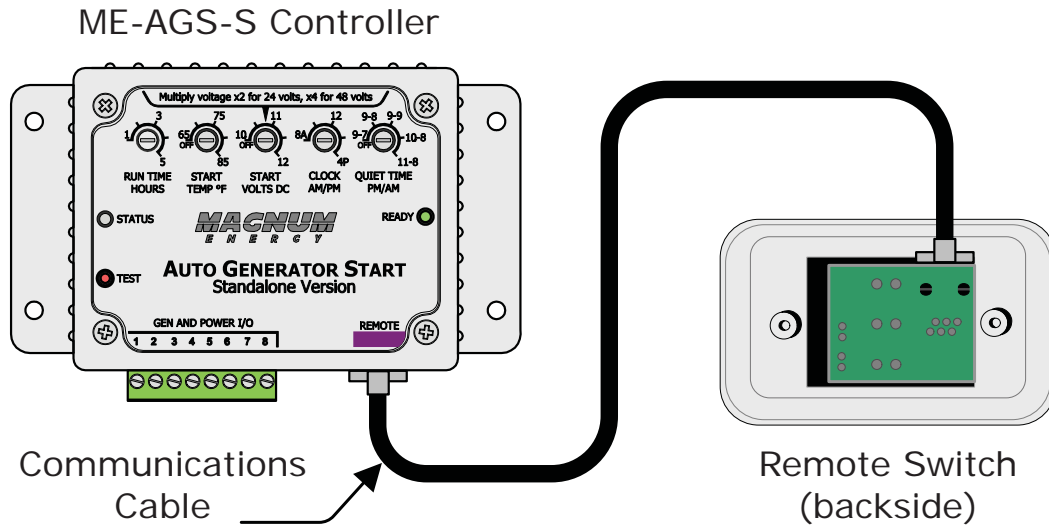


Figure 2-4, Communication Cable Connection

2.4.1 Communication Cable

The 6-conductor communications cable has a RJ12 (6-position/6-wire) connector on each end and is wired as a *data type* cable. This means that when the RJ12 connectors are held side by side with both of the connector tabs facing the same way, the color of the conductors in each connector is the same from top to bottom as shown in Figure 2-5.

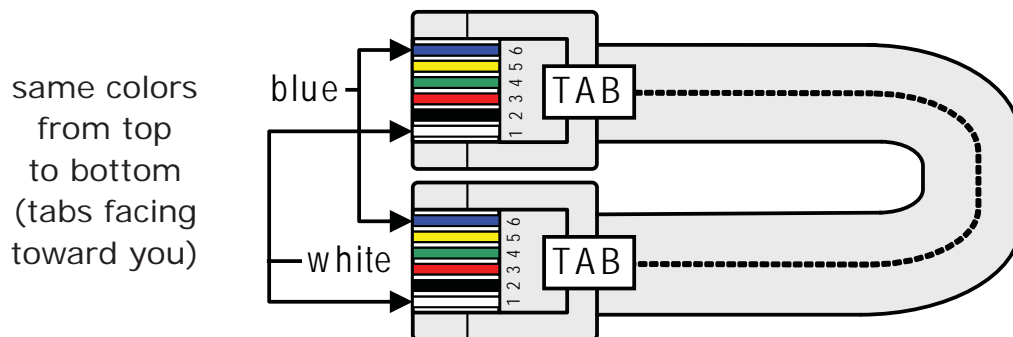


Figure 2-5, Communication Cable (Data Type)

2.0 Installation

2.5 ME-AGS-S Terminal Block Wiring

The controller should now be mounted. For the following steps; refer to Figure 2-7 for reference when wiring the generator to the controller's terminal block:

1. Unplug the green 8-port friction-fit terminal block from the controller by pulling it straight out. Ensure the openings are unscrewed enough to allow the wires to be inserted.



CAUTION: DO NOT plug in the 8-port terminal block. After all the wiring to the controller is complete and all the settings have been configured, a Power-Up Test will be performed [Section 4 (Operation)]. **DO NOT** plug in the 8-port terminal block until then.



CAUTION: A fuse rated at 5 amps or less must be used to protect all power circuits (except for ground connections) connected to the AGS controller. Ensure the fuse is correctly rated for the wire size used. Refer to national and local codes for rating and type. Normally, a minimum #16 AWG wire is required to use a 5 amp fuse.



Info: The green 8-port terminal block accepts CU/AL conductors from #30 to #12 AWG (0.05 to 3.3 mm²).

2.5.1 Power Connections (Terminals 3 and 4)

2. Connect a wire (black) from the monitored battery bank's negative terminal to the #4 terminal on the 8-port terminal block.

3. Connect a wire (red) with a 5-amp, in-line fuse from the monitored battery bank's positive terminal to the #3 terminal on the 8-port terminal block.

2.5.2 Generator Run Sense Connection (Terminal 2)

Terminal #2 on the 8-port terminal block is used as a generator run sense (i.e., switched B+ or a positive battery signal from the hour meter or gen running light). This run sense voltage is used to determine that the generator is running and to prevent another starter crank while the generator is already running.



Info: The run sense signal from the generator to terminals #2 (positive) and #4 (negative) must be 10 to 40 VDC only while the generator is running.



Info: The run sense signal from the generator to terminal #2 is not required when using the 2-Wire Standby Mode (GEN TYPE Setting). However, this setting will only attempt to start the generator one time, since it cannot determine if the generator is actually running. All other GEN TYPE settings will attempt to start the generator four times.

4. Connect a wire (preferably not black or red) from the generator's run sense output to terminal #2 on the 8-port terminal block.

5. Connect the negative terminal of the monitored battery bank to terminal #4 (power negative) on the 8-port terminal block. Ensure the negative terminal on the generator battery is referenced/connected to the negative terminal on the monitored battery.

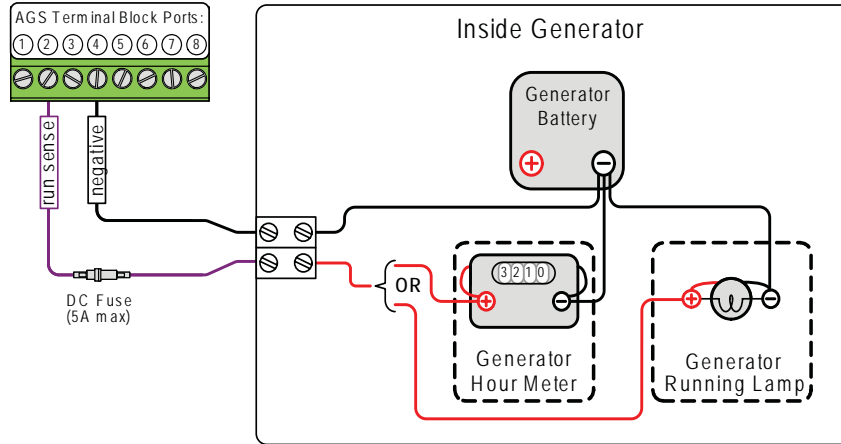


Info: The negative side of the run sense signal from the generator must be in common with the negative side of the monitored battery bank. This ensures that the positive battery voltage (to terminal #3) and the positive run sense voltage (to terminal #2) have a common negative reference (to terminal #4) and are correctly measured by the ME-AGS-S.

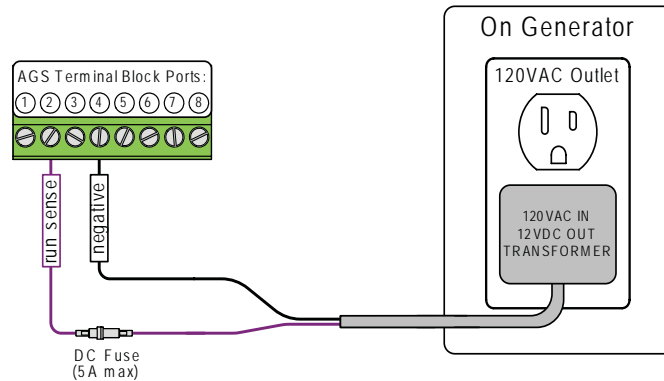
2.0 Installation

What if my generator does not have a run sense output? If your generator is not equipped with a generator run sense output, review Figure 2-6 for alternative options.

Option 1 - Tap into the positive side of the generator's hour meter or running light; ensure the voltage is 10 to 40 VDC only while the generator is running.



Option 2 - Use a 120VAC to 12VDC step-down transformer (normally used to charge power equipment batteries) and plug into the generator's 120VAC output. The step-down transformer provides 12 VDC output only while the generator is running.



Option 3 - Use an external 120VAC coiled relay to bring the generator's battery voltage to the AGS run sense port (AGS Terminal Block Port #2) only while the generator is running. The generator's battery voltage must be 10 to 40 VDC.

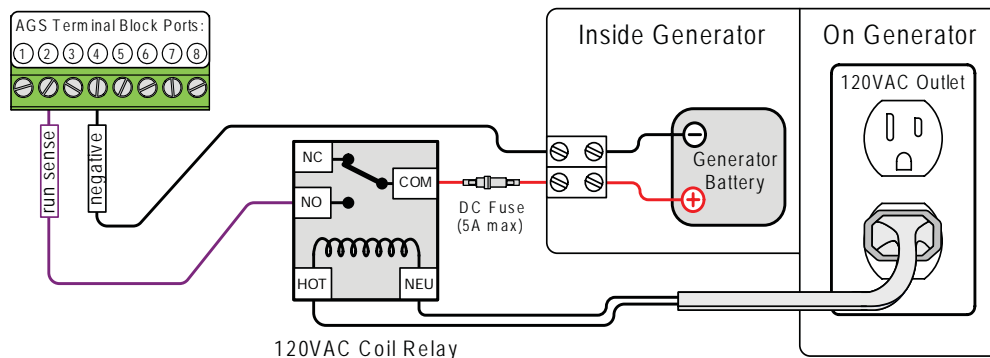


Figure 2-6, Generator Run Sense Options

2.0 Installation

2.5.3 Generator Start/Stop Connections (Terminals 1, 5, 6, 7, and 8)

This section details the control relays inside the AGS controller and information on wiring these relays to the generator's start/stop circuit. You must identify the generator's start and stop wiring requirements to determine how many relays you require, the amount of wires you connect, and in what combination.

If the generator is equipped with a remote control terminal or connector, the connections to AGS control relays are made much easier if the generator's optional remote control panel is purchased. Connecting to the generator's remote panel also eliminates the need to make connections inside the generator (and possibly violating the generator's warranty).

The AGS controller provides three control relays (RY1, RY2, and RY3) to operate the auto-start/stop function of your generator. These relays are dry contacts (does not provide any voltage or current) and operate only as switches that turn on and off low amperage devices. They are not intended to directly provide power to starter motors or ignition systems, rather they are used to send a signal to operate the coil of another higher amperage device which does the actual switching of power.



CAUTION: A fuse rated at 5 amps or less must be used to protect each of the relays. **The warranty does not cover damage to these relays.** Fuses should be located as close as possible to the generator connection. A fuse must be used, even if the circuit is providing only a "dry contact" or "ground" connection - it will prevent damage if the connection is miswired or damaged.



Info: To set the generator type which determines the operation of the AGS relays, see 'GEN TYPE Setting' in the Setup section.



Info: Due to the different generator types and the various starting/stopping wiring configurations used by the generator manufacturers, detailed wiring instructions are not provided in this manual. Please refer back to your generator's documentation for wiring details.



Info: For more information and to view diagrams on connecting the AGS to the start/stop circuit on many generators, refer to the '[Generator Wiring Diagrams](http://www.magnumenergy.com)' section at www.magnumenergy.com.

Depending on your generator's start and stop wiring requirements, you may only need to use one relay (RY1) for fully automatic two-wire generators; two relays (RY1 and RY2) for 3-wire generators; or all three relays (RY1, RY2, RY3) for generators that require an independent bypass or preheat circuit.

The connection points to each relay is as follows (see Figure 2-7):

- **Relay 1 (RY1) and Relay 2 (RY2)**

Terminal #5: This is the Normally Open (N.O.) position of the RY1 relay.

Terminal #6: This is the Common (COM) position of both Relay 1 (RY1) and Relay 2 (RY2).

Terminal #7: This is the Normally Open (N.O.) position of Relay 2 (RY2).

- **Relay 3 (RY3)**

Terminal #1: This is the Normally Open (N.O.) position of Relay 3 (RY3).

Terminal #8: This is the Common (COM) position of Relay 3 (RY3).

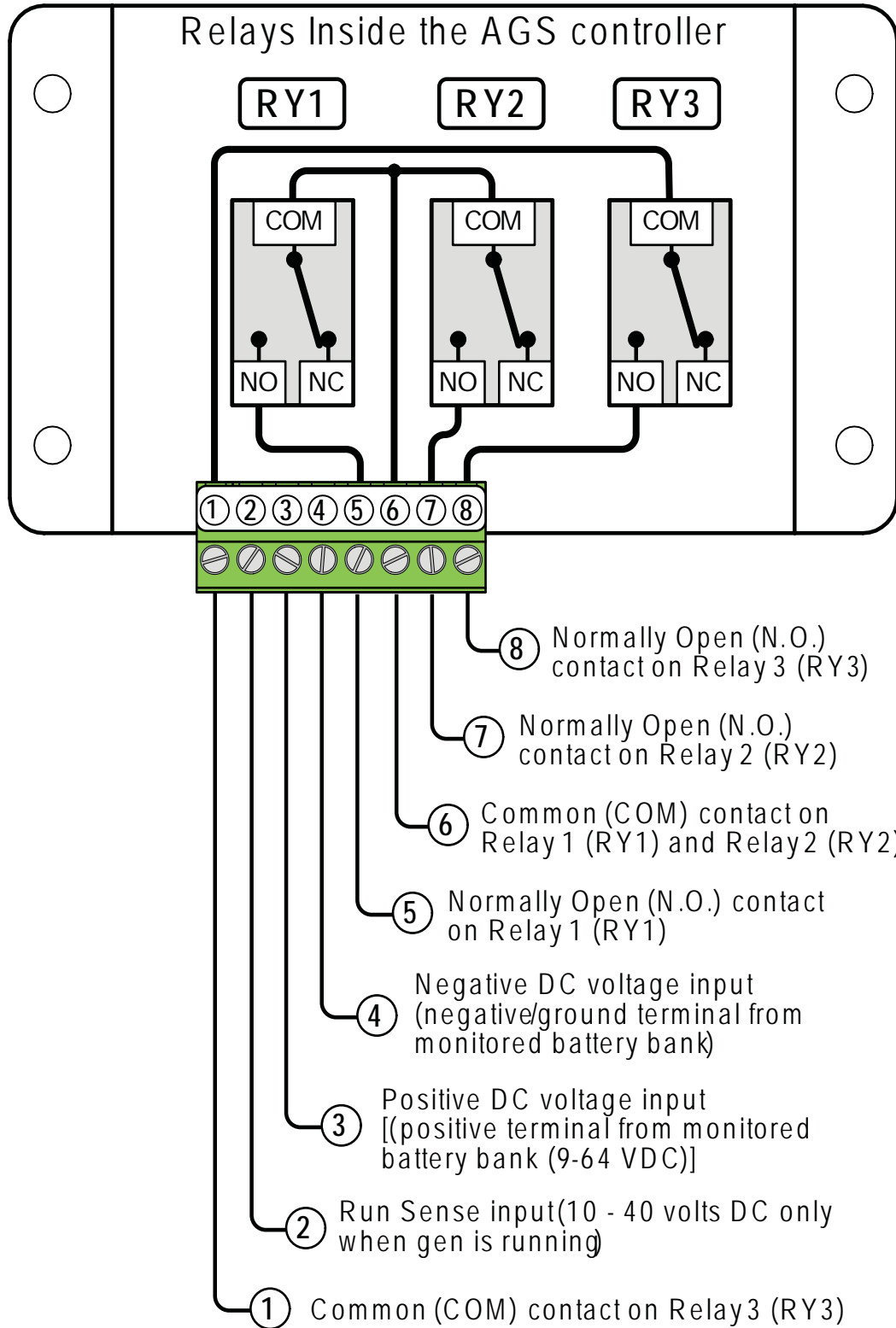


Figure 2-7, Wiring to the AGS Controller Terminal Block

2.0 Installation

2.6 Warning Label

It might be falsely assumed that it is safe to perform maintenance on the generator or the electrical panel because the generator is off; however, the AGS system can automatically turn on the generator and power the panel.

Two warning labels as shown in Figure 2-8 are provided to inform all personnel that an Automatic Generator Starting device is installed in your electrical system. Place one label in a clearly visible location at the generator and the other label at the electrical panel that is being powered by the generator.



WARNING: To prevent harm to servicing personnel, ensure the generator and AGS are properly disabled (i.e., remove the starting battery from the generator and remove all power to the AGS by unplugging the green 8-port friction-fit terminal block from the controller) prior to performing maintenance on the generator or electrical panel.

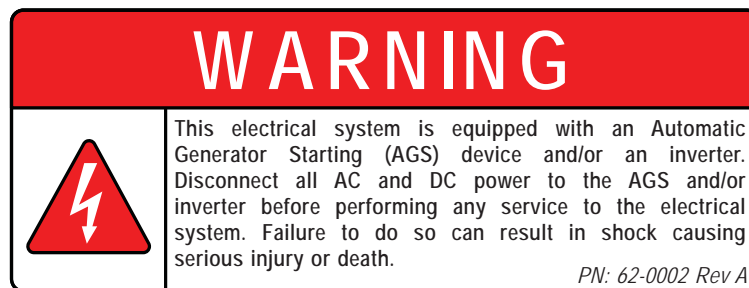


Figure 2-8, Warning Label

2.7 Common ME-AGS-S Generator Wiring Diagrams

The most common generator starting/run/stop circuits can be divided into three major types - Two-wire, Three-wire “momentary”, or Three-wire “maintain”. The following generator wiring diagrams are provided to give examples of these generator types.



Info: The term “Three-wire” refers to the minimum number of wires required to control the starter motor and run the generator; more than three wires may actually be needed.

Shown in Figure 2-9, the “Two-wire” generator types integrate the control circuits for start-up, running and stopping. The generator starts and runs when two “control” wires are connected and stops when they are disconnected.

Shown in Figure 2-10, the “Three-wire momentary” generator types use a three-position momentary type switch that controls their operation. To start the generator, the switch is momentarily held to the START position. This energizes the ignition system and cranks the starter motor. Once the engine has started, the START switch is released and it returns to a center position (i.e., “momentary” run control). To shut down the generator, the switch is held to the STOP position until the engine dies. Once the switch is released, it returns to the center position (i.e., “momentary” stop control).

Shown in Figure 2-11, the “Three-wire maintain” generator types use an automotive type starting circuit. Operating a switch that is first turned to a RUN position and then momentarily held to a START position to start the generator. Once the engine has started, the switch is released and it returns to the RUN position (i.e., “maintain” run control). To shut down the generator, the switch is moved to the OFF position (i.e., “maintain” stop control).

2.0 Installation

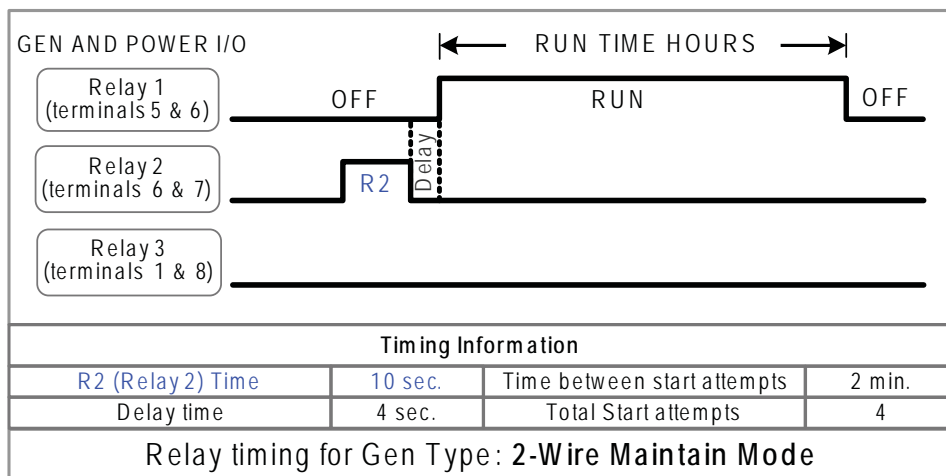
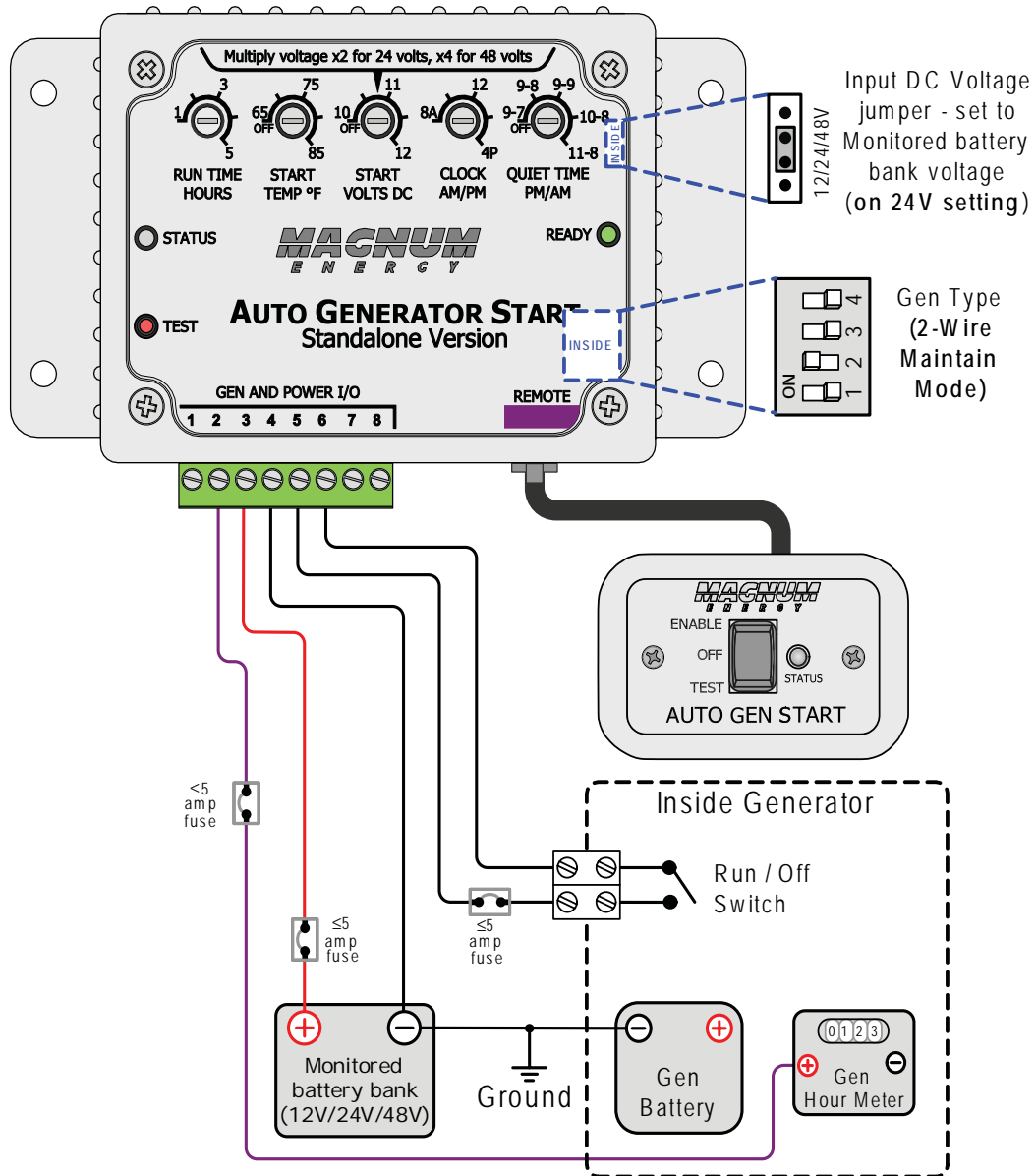


Figure 2-9, Two-wire Start Type Generators

2.0 Installation

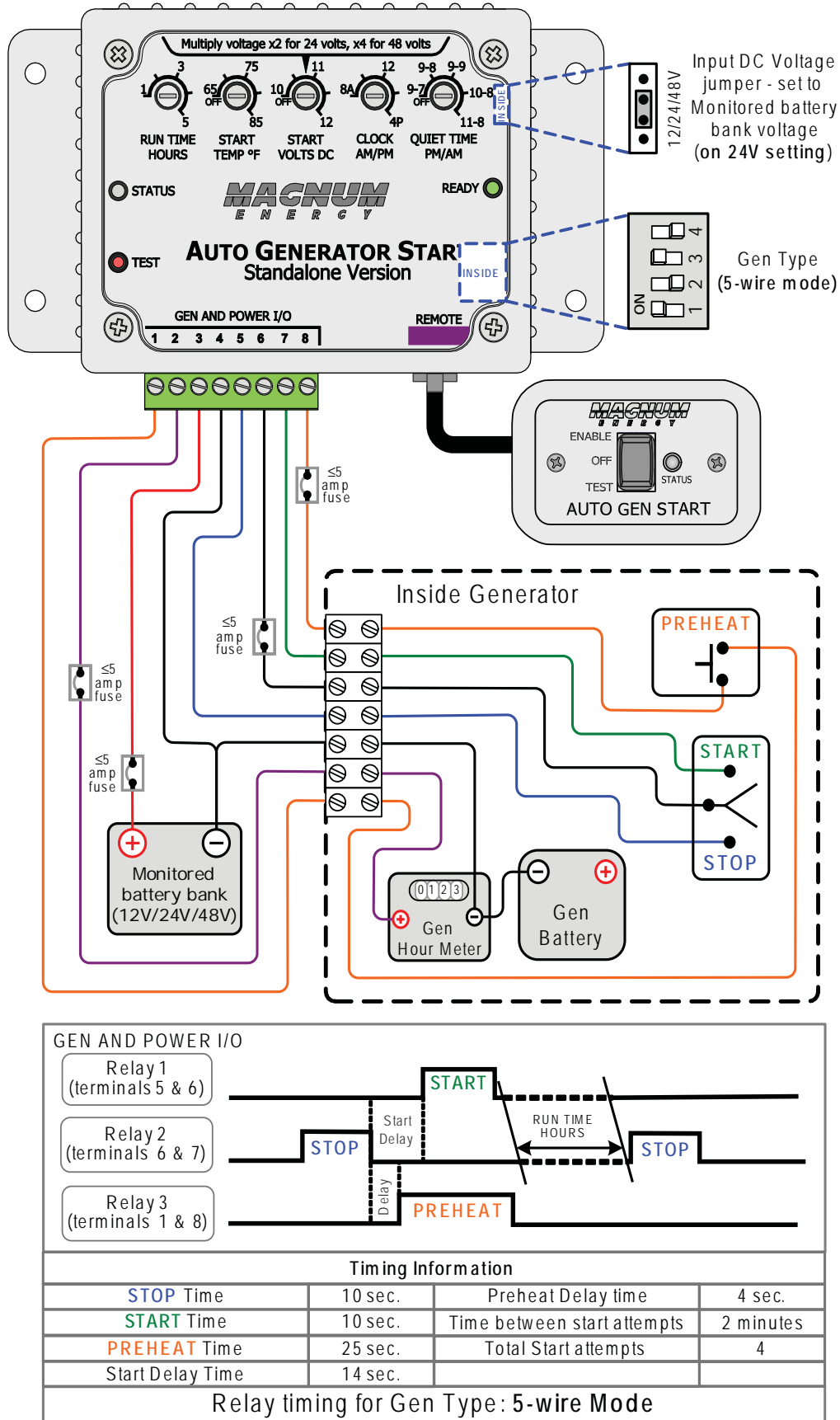


Figure 2-10, Three-wire Momentary Type Generators

2.0 Installation

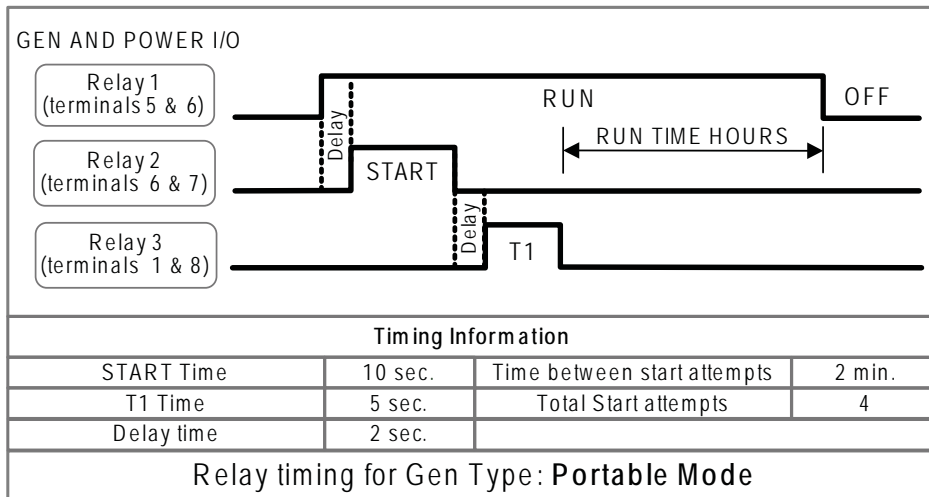
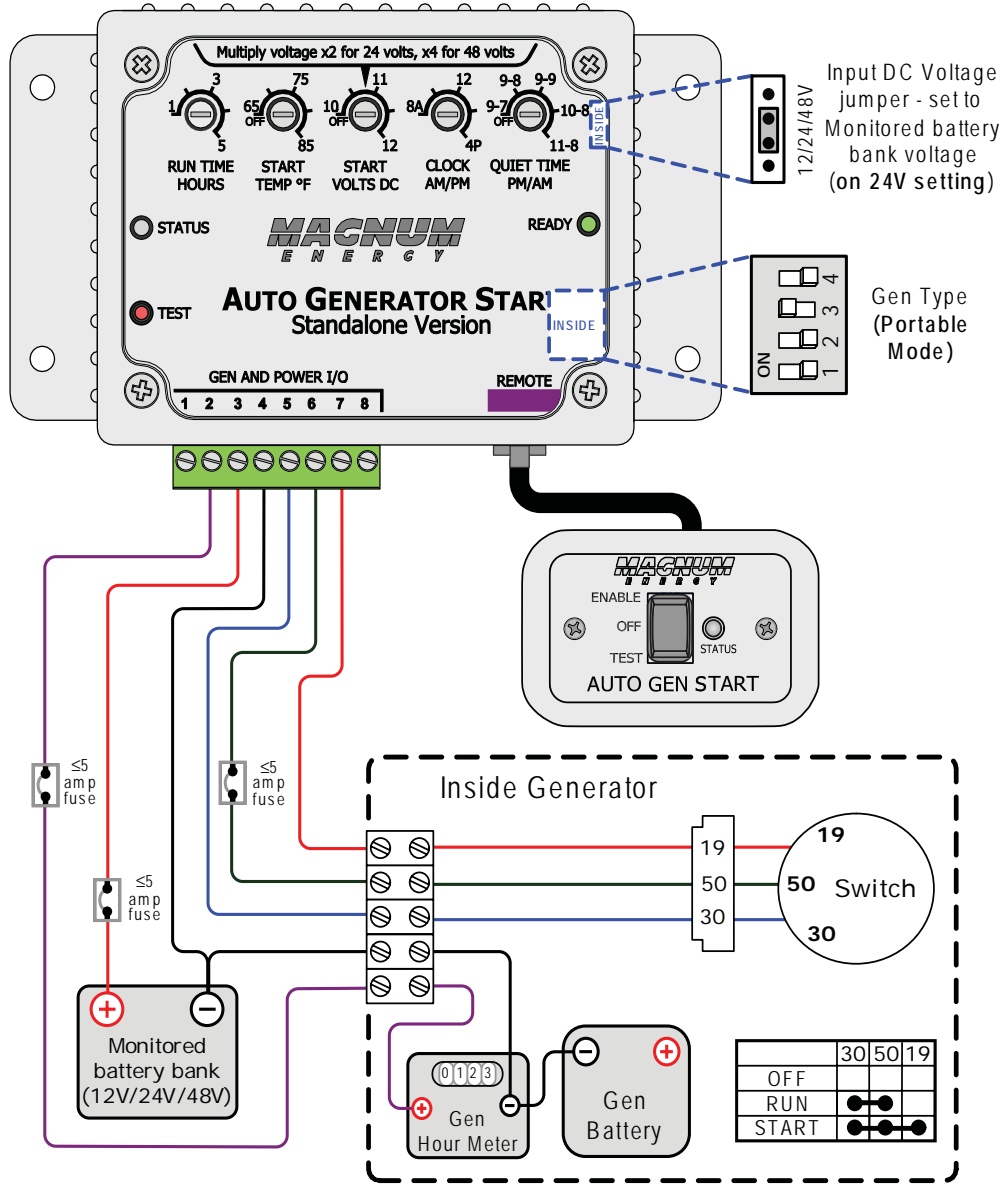


Figure 2-11, Three-wire Maintain Type Generators

3.0 Setup

3.0 Setup

This section provides information on the AGS settings and shows you how to adjust these settings.

3.1 Internal Settings

On the AGS Controller, unscrew the four top screws and remove the plastic cover to access an input DC voltage jumper and a 4-position DIP (Dual In-line Package) switch. The INPUT DC VOLTAGE jumper position determines the controller's DC operating voltage. The DIP switch configuration is used to select the GEN TYPE which determines how the internal relays operate to automatically start and stop generators.

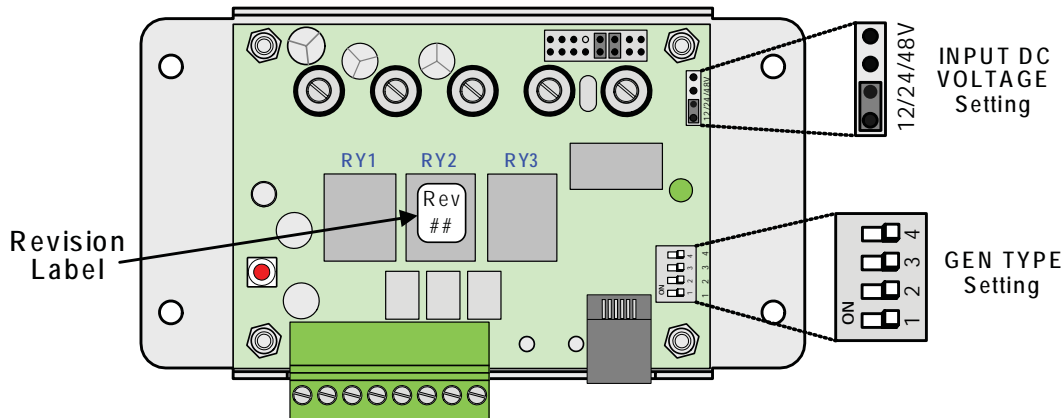


Figure 3-1, Inside the AGS Controller

INPUT DC VOLTAGE Setting - The INPUT DC VOLTAGE setting is determined by connecting two small pins with a small black plastic box (i.e. jumper). This setting can be configured for 12, 24, or 48 VDC operation, which is determined by the nominal DC voltage connected to terminals 3 and 4 on the AGS.

- For 12-volt DC operation, position the jumper on the bottom two pins.
- For 24-volt DC operation, position the jumper on the middle two pins.
- For 48-volt DC operation, position the jumper on the top two pins.



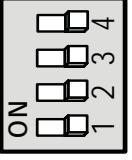
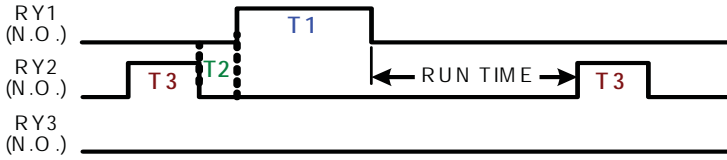
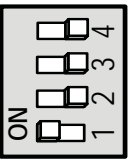
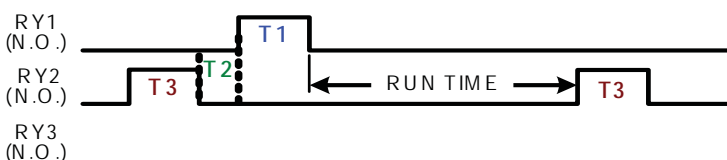
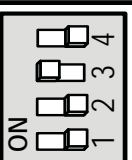
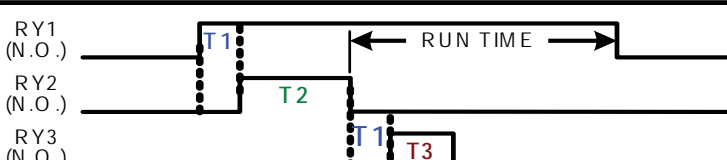
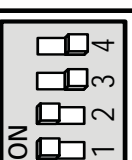

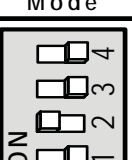

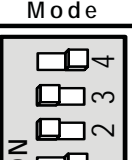
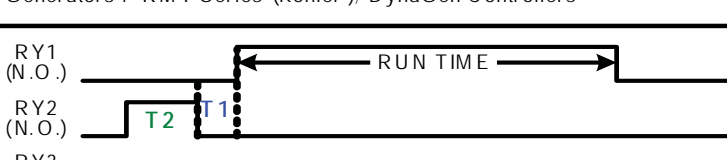
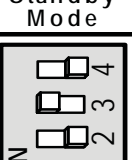
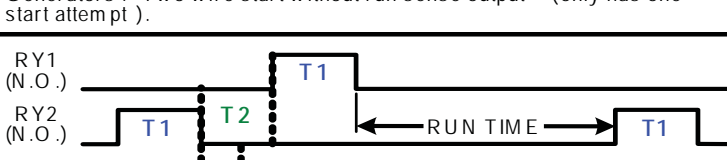
Figure 3-2, DC Voltage Settings

GEN TYPE Setting - The GEN TYPE setting is determined by a DIP switch, which is actually 4 small switches that can be turned to the ON or OFF position. The position of each of these 4 small switches is used to determine the open and close timing sequence for the three internal AGS relays (RY1, RY2 and RY3). The multiple positions of the DIP switch allow a wide range of generator start/stop circuit configurations.

After determining the appropriate start/stop timing sequence for your generator, use Table 3-1 to determine and set the correct GEN TYPE setting for your generator's start/stop requirements.

For examples and assistance in viewing which GEN TYPE setting is used for specific generators, view the '[Generator Wiring Diagrams](#)' under the Service and Support area at www.magnumenergy.com.

Table 3-1, GEN TYPE Settings

GEN TYPE	Relay Timing/Operation (RY1/R Y2/R Y3)	Time Period
 <p>QD Mode (default)</p>	 <p>RY1 (N.O.) RY2 (N.O.) RY3 (N.O.)</p>	<p>T1 = 20 sec. T2 = 4 sec. T3 = 10 sec.</p>
 <p>3-Wire Mode</p>	 <p>RY1 (N.O.) RY2 (N.O.) RY3 (N.O.)</p>	<p>T1 = 5 sec. T2 = 2 sec. T3 = 10 sec.</p>
 <p>Portable Mode</p>	 <p>RY1 (N.O.) RY2 (N.O.) RY3 (N.O.)</p>	<p>T1 = 2 sec. T2 = 10 sec. T3 = 5 sec.</p>
 <p>2-Wire Momentary Mode</p>	 <p>RY1 (N.O.) RY2 (N.O.) RY3 (N.O.)</p>	<p>T1 = 2 sec. T2 = 10 sec.</p>
 <p>2-Wire Maintain Mode</p>	 <p>RY1 (N.O.) RY2 (N.O.) RY3 (N.O.)</p>	<p>T1 = 4 sec. T2 = 10 sec.</p>
 <p>2-Wire Standby Mode</p>	 <p>RY1 (N.O.) RY2 (N.O.) RY3 (N.O.)</p>	<p>T1 = 4 sec. T2 = 10 sec.</p>
 <p>5-Wire Mode</p>	 <p>RY1 (N.O.) RY2 (N.O.) RY3 (N.O.)</p>	<p>T1 = 10 sec. T2 = 14 sec. T3 = 4 sec. T4 = 25 sec.</p>

3.0 Setup

3.2 External Settings

The generator run time, temperature, and voltage settings come pre-set directly from the factory. For the majority of customers, the factory default settings as shown in Table 3-2 are appropriate. If you need to make changes to the factory settings, you can do so by rotating the knobs either clockwise or counterclockwise on the front panel of the AGS Controller; see Figure 3-3.

Table 3-2, ME-AGS-S Default Settings

	Adjustable Settings	Factory Default Values
EXTERNAL SETTINGS	RUN TIME HOURS	2 (Hours)
	START TEMP °F	OFF (disabled)
	START VOLTS DC	11 (Volts DC)
	CLOCK AM/PM	8A (8 AM)
	QUIET TIME PM/AM	OFF (disabled)
INTERNAL SETTINGS	INPUT DC VOLTAGE	12 Volts (bottom two pins)
	GEN TYPE	QD Mode (all 4 switches off)

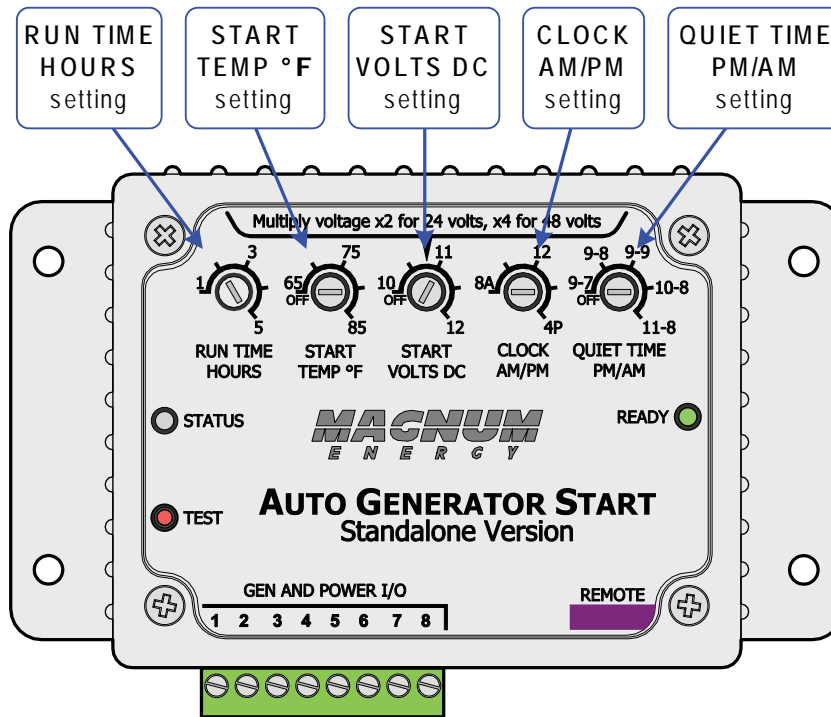


Figure 3-3, External Settings

RUN TIME HOURS: This setting determines the length of time the generator will run after the generator has started. The generator starts because the battery voltage has fallen to the START VOLTS DC setting for at least two minutes continuously; or, the temperature around the remote switch has risen to the START TEMP °F setting. The run time can be set from 1 to 5 hours. To change this setting, slowly rotate the knob marked RUN TIME HOURS clockwise to increase generator run time or counterclockwise to decrease the generator run time.

START TEMP °F: This setting allows you to enable and adjust a temperature value that will cause the generator to automatically start. When the temperature around the AGS switch increases to the START TEMP °F temperature setting, the generator will automatically start and run based on the RUN TIME HOURS setting. The AGS will attempt to start the generator immediately once the temperature rises to this setting. The temperature start setting is adjustable from 65°F to 85°F. If the temperature start feature is not needed, ensure the adjustment knob is turned fully counterclockwise to the OFF position.

Why would I use the temperature start feature? For RV users, you could set the air conditioner to turn on (will come on when power is provided by the generator) and leave the RV. The generator will automatically start when the temperature rises to your AGS temperature start setting, providing power to the air conditioner; thereby, turning it on. This allows you to leave pets and precious items in your coach while dry camping in hot weather; knowing your RV will stay cool and comfortable - plus, while the generator is on, the house batteries are being charged.

START VOLTS DC: This setting allows you to enable and set a battery voltage value that will cause the generator to automatically start. When the battery voltage decreases to or below this setting for two minutes continuously, the generator will automatically start and run based on the RUN TIME HOURS setting. The voltage start setting is adjustable from 10 to 12 VDC (12 VDC jumper), 20 to 24 VDC (for 24 VDC jumper), or 40 to 48 VDC (48 VDC jumper). If the DC voltage start feature is not needed, turn the adjustment knob fully counterclockwise to the OFF position.



Info: This system is capable of 12 VDC, 24 VDC, or 48VDC operation. For 24 VDC applications, double the value indicated on the cover (i.e., 11 VDC equals 22 VDC) and for 48 VDC applications, multiply the indicated value by four (i.e., 11 VDC equals 44 VDC).

CLOCK AM/PM: This setting is used to set the internal clock of the AGS. The internal clock of the AGS must be set to the correct time in order for the Quiet Time feature to function appropriately. If the Quiet Time feature is not used, this clock setting is not required to be adjusted.

To set or change the clock, ensure the current time of day is between the hours of 8 AM and 4 PM; then, slowly rotate the knob marked CLOCK AM/PM clockwise to increase the time or counterclockwise to decrease the time. Once the clock is set it will continue to keep time; however, the clock must be reset if the controller loses power, or when you change time zones.

QUIET TIME PM/AM: This setting is used to prevent the generator from starting during specific hours of the evening (PM) and early morning (AM). It is adjustable for five pre-selected time ranges.

To set the Quiet Time, turn the dial either counterclockwise or clockwise to the hours required: 9-7 (9 PM to 7 AM), 9-8 (9 PM to 8 AM), 9-9 (9 PM to 9 AM), 10-8 (10 PM to 8 AM), or 11-8 (11 PM to 8 AM). The program only needs to be set once. If the Quiet Time feature is not needed, turn the dial fully counter-clockwise to the OFF position.



Info: If the generator is running when the Quiet Time evening hour (PM) is reached, it will automatically stop and will not be able to automatically start until after the Quiet Time morning hour (AM) has passed.

3.0 Setup

3.3 AGS Functional Tests

After all electrical connections to the AGS, batteries, and generator have been completed (and prior to connecting the 8-pin green terminal block into the AGS controller), perform the following tests to verify that the AGS system is functioning correctly and the wiring from the AGS to generator is correct.

If the AGS fails either test, or the STATUS indicator turns red indicating a fault, refer to the Troubleshooting section.

3.3.1 Power-Up Test:

1. Ensure the AGS Remote Switch is set in the OFF position (center position) and connected to the controller by the communication cable.
2. Before connecting the 8-pin green terminal into the AGS: use a multimeter to verify the correct polarity and that the voltage to terminals 3 (positive) and 4 (negative) is correct according to the position the DC input jumper (refer to Figure 3-2).
3. Apply power to the AGS by plugging in the green 8-port friction-fit terminal block into the controller, and then verify that the green READY indicator comes on (solid) and the STATUS indicator blinks green once.



Info: The READY indicator will blink when the AGS controller is powered and the remote switch is not connected to the AGS controller.

3.3.2 Generator Wiring Test:

This start/stop test is used to confirm that all wiring from the generator to the AGS controller is correct and that the GEN TYPE setting is configured correctly for your generator type.

1. Press and release either:
 - a) the red TEST switch (on the Controller - see Figure 4-1); or
 - b) the switch to the TEST position (on the Remote Switch - see Figure 4-2).
2. After the TEST button/switch is pressed and released, the AGS will initiate an automatic generator start/stop sequence.
3. The STATUS indicator on the controller (and remote switch) will begin to blink green and the generator should start.
4. While the generator is running, view the STATUS indicator and ensure it turns solid green.
5. The generator should run for approximately 30 seconds before automatically turning off.

Wait for at least 5 minutes to ensure the generator remains off and the AGS does not attempt another start. If this test passes, then activate the AGS system by setting the remote switch to ENABLE.

If the STATUS indicator shows a fault condition (solid red LED indication), press the AGS Switch to OFF and then back to the ENABLE or TEST position. If the problem persists, refer to the Troubleshooting section.



Info: The AGS will attempt to start the generator 4 times. If after 4 attempts the generator fails to start, the status LED will turn red indicating a fault. Note: Only one start attempt is provided when the GEN TYPE setting is in the 2-Wire Standby Mode position.

4.0 Operation

This section details the front panel controls and the LED indicators on the AGS controller and remote switch; and explains the operation using these LED indicators.

4.1 AGS Controller Operation LED Indicators

The front of the controller (see Figure 4-1) provides a pushbutton to test the AGS system operation, and two LEDs indicators for viewing system operation.

4.1.1 TEST Switch - The TEST switch when pressed and released will attempt to turn on the connected generator and allow it to run for at least 30 seconds before turning the generator off. This start/stop test is used to confirm that all wiring from the generator to the AGS is correct and that the GEN TYPE setting is configured correctly for your generator type.



Info: Pushing and releasing the red TEST pushbutton switch enables the same test as pressing and releasing the momentary TEST position on the AGS remote switch.

4.1.2 STATUS LED Indicator

Blinking Green: Indicates that the AGS system is initiating a generator start sequence. This can happen based on two conditions, either: 1) The TEST switch (on the controller or remote switch) has been pressed and released; or 2) The remote switch has been set to the ENABLE position and the START TEMP °F setting and/or the START VOLTS DC setting has been reached.

Solid Green: Indicates the generator has started successfully and is providing the run sense voltage to terminals 2 (+) and 4 (-) of the AGS controller.

Solid Red: This is a fault condition to indicate that the generator has not provided a correct Run Sense voltage to terminals 2 (+) and 4 (-) of the AGS controller after four start attempts.

4.1.3 READY LED Indicator

Solid Green: Normal AGS System indication. Indicates the AGS controller has power and the Remote Switch is plugged in correctly.

Blinking Green: Indicates that the AGS controller has power, but the remote switch is not sensed. This means the remote switch is either not connected, incorrectly connected, is defective, or has an incorrect or defective cable.

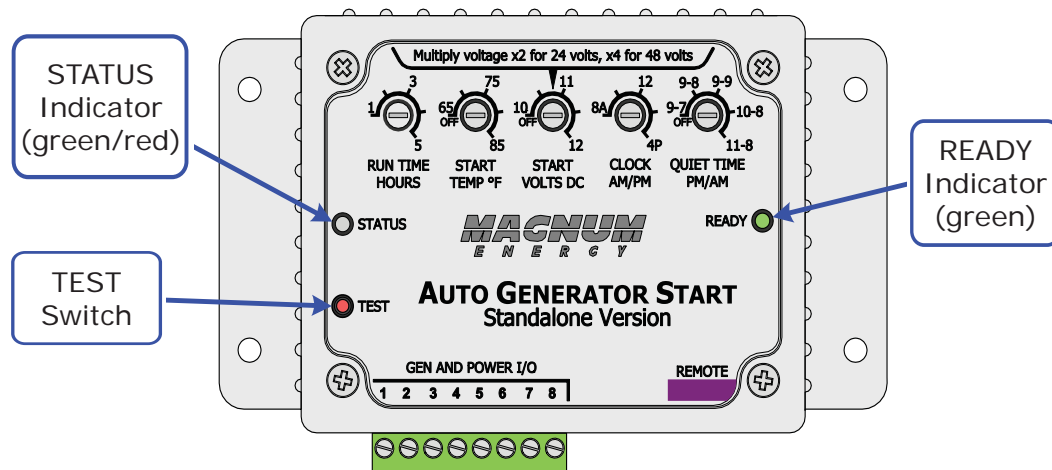


Figure 4-1, Controller Front Panel Controls and Indicators

4.0 Operation

4.2 Remote Switch Operation

The AGS Remote Switch (see Figure 4-2) provides information and enables you to operate the controller. The Remote Switch receives its power from the controller thru the communications cable and comes on automatically when power is applied to the AGS controller.

The Remote Switch provides an ENABLE position to activate the auto gen system, an OFF position to turn the auto gen system OFF, and a momentary TEST position that allows the auto gen system to be tested remotely. A STATUS indicator is also included to remotely view system status.

4.2.1 Switch positions

OFF: When the AGS Switch is placed in the OFF position; the STATUS indicator will be off and all AGS generator start functions are disabled.

ENABLE: *This is the normal operating position.* When the AGS Switch is placed in the ENABLE position, the Auto Generator Start system is activated/enabled and will now monitor battery voltage and/or temperature to determine when to automatically start the generator.

TEST: When the AGS Switch is pushed to the momentary TEST position, the AGS will initiate an automatic generator start/stop sequence. This test will attempt to turn on the connected generator and allow it to run for at least 30 seconds before turning the generator off. This start/stop test is used to confirm that all wiring from the generator to the AGS is correct and that the AGS is configured correctly for your generator type.



Info: Pushing and releasing the momentary TEST position enables the same test as pressing and releasing the red TEST pushbutton switch on the AGS controller.

4.2.2 STATUS LED Indicator

Blinking Green: Indicates that the AGS system is initiating a generator start sequence. This can happen based on two conditions, either: 1) The TEST switch (on the controller or remote switch) has been pressed and released; or 2) The remote switch has been set to the ENABLE position and the START TEMP °F setting and/or the START VOLTS DC setting has been reached.

Solid Green: Indicates the generator has started successfully and is providing the required run sense voltage to terminals 2 (+) and 4 (-) of the AGS.

Solid Red: This is a fault condition to indicate that the generator has not provided a correct Run Sense voltage to terminals 2 (+) and 4 (-) of the AGS controller after four start attempts.

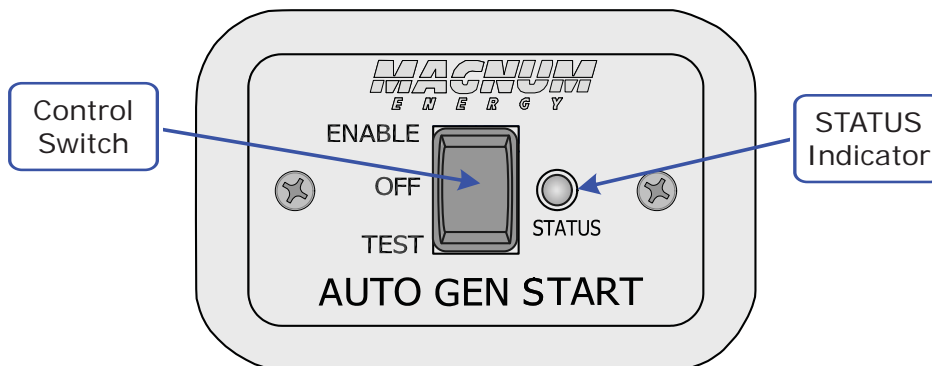


Figure 4-2, Remote Switch Front Panel Controls and Indicators

4.3 AGS System Operation

When the AGS is enabled and has determined that a low battery and/or a high temperature condition exists, it will attempt an automatic generator start. This is done by closing its internal relays (based on the GEN Type selection) to control the starter much like a person does when manually starting the generator. The starter is turned on for short periods of time and then turned off. If the AGS determines that the engine has started while cranking (indicated by a solid green STATUS indicator), the starter is turned off after a short delay. If the engine does not start, another attempt to turn on the starter is made after a long delay period. This is repeated until either the generator starts or the maximum number of start attempts is reached, which causes the AGS to go into a fault condition (indicated by a solid red STATUS indicator).



WARNING: Never allow the generator to start/run in an enclosed garage or any other type of enclosed structure without proper ventilation. Carbon Monoxide, an odorless, colorless, deadly gas may accumulate and cause serious injury or death.

4.3.1 Operational Notes

- To manually stop the generator during the run time cycle, simply press the Remote switch to the OFF position.
- If a fault condition occurs, press the AGS Switch to OFF and then back to the ENABLE or TEST position. If the problem persists, refer to the Troubleshooting section in this manual.
- When the AGS Switch is placed in the OFF position, all AGS generator start functions are disabled. The STATUS indicator will also be off when the switch is in this position.
- Once the generator has completed the RUN TIME HOURS the AGS will immediately begin to monitor the START TEMP °F and START VOLTS DC settings for the next auto start cycle.
- It is recommended that the AGS Remote Switch be set to the OFF position if the connected generator will be placed into storage or left unattended for extended lengths of time.
- If using the temperature start feature in an RV coach, set the air conditioner thermostat to match the START TEMP °F setting. If using two air conditioners, it is suggested that the second air conditioner thermostat be set 2° to 5° higher than the first air conditioner. This staggered setting will allow the first air conditioner to start and run in an effort to keep the coach cool. If the temperature continues to rise inside the coach, the second air conditioner will turn on to further cool the coach.
- When the generator starts successfully, the STATUS indicator will turn solid green. The generator will run until the RUN TIME HOURS setting is reached, at which time a stop signal will be sent to the generator.
- If the generator is running when the switch is pushed to the TEST position, the generator will stop and then start again. The generator will then run for approximately 30 seconds before shutting off.
- There is a two minute delay before the AGS attempts to start the generator if the voltage to the AGS controller falls to the START VOLTS DC. There is no delay if the AGS attempts to start the generator when the temperature around the Remote Switch rises to the START TEMP °F setting.

5.0 Troubleshooting

5.0 Troubleshooting

There are two LED's (Light Emitting Diodes) indicators on the front of the AGS controller to indicate how the AGS is operating and to help troubleshoot the AGS system. The STATUS indicator is a bi-color (green or red) LED to indicate the AGS status. The READY indicator is a green LED to indicate if the AGS has power and if the remote switch is connected.

The AGS controller will perform a "self test" when power is first applied. The green READY indicator comes on (solid) and at the same time, the STATUS indicator blinks green once. If the self-test is correct, test the AGS system for proper operation by pressing and releasing the AGS switch to the TEST position. The STATUS indicator will begin to blink green and the AGS should start the generator. After the generator has started, the STATUS indicator should turn on solid green and the generator should run for approximately 30 seconds and then shut off. If the generator does not start and stop as expected, refer to the troubleshooting chart below to help find a solution.



WARNING: Completely unplug the green 8-port friction-fit terminal block from the AGS controller before servicing the electrical or generator system to prevent harm to servicing personnel.

Table 6-1, Troubleshooting Guide

LED Indication	Symptom	Solution
STATUS is ON red = Gen Fault	1. Gen won't start; or 2. Gen won't run. It starts, but is stopped by the AGS (B+ or run sense voltage not sensed to terminal #2).	Check Gen to AGS start wiring; or check B+ wiring from GEN to AGS. Measure DC voltage from terminal 2 (+) to terminal 4 (-), ensure DC voltage is 10 to 40 volts only when the generator is running. Switch OFF, then ENABLE to reset.
STATUS is blinking green = Gen start initiated	Gen start initiated.	No problem - normal operation.
STATUS is ON (solid) green = Gen Run	Gen started OK.	No problem - normal operation.
READY is OFF = No power connected to the AGS controller	DC voltage to pins 3 (+) and 4 (-) on controller missing or incorrect.	Check fuse, check DC wiring.
READY is blinking = The remote switch is not connected	The remote control switch is not sensed or plugged into the REMOTE port.	1. Check communications cable connection to the remote and controller, or 2. Try a different 6-conductor telephone cable (see Figure 2-5). Switch OFF, then ENABLE to reset.
READY is ON (solid) = Power connected	The remote control switch is connected to the REMOTE port.	No problem - normal operation.

6.0 Limited Warranty

Magnum Energy, Inc. warrants the ME-AGS-S (Automatic Generator Start - Standalone version) to be free from defects in material and workmanship that result in product failure during normal usage, according to the following terms and conditions:

1. The limited warranty for the product extends for twelve (12) months beginning from the product's original date of purchase.
2. The limited warranty extends to the original purchaser of the product and is not assignable or transferable to any subsequent purchaser.
3. During the limited warranty period, Magnum Energy will repair, or replace at Magnum Energy's option, any defective parts, or any parts that will not properly operate for their intended use with factory new or remanufactured replacement items if such repair or replacement is needed because of product malfunction or failure during normal usage. The limited warranty does not cover defects in appearance, cosmetic, decorative or structural parts, or any non-operative parts. Magnum Energy's limit of liability under the limited warranty shall be the actual cash value of the product at the time the original purchaser returns the product for repair, determined by the price paid by the original purchaser. Magnum Energy shall not be liable for any other losses or damages.
4. Upon request from Magnum Energy, the original purchaser must prove the product's original date of purchase by a dated bill of sale, itemized receipt.
5. The original purchaser shall return the product prepaid to Magnum Energy in Everett, WA. After the completion of service under this limited warranty, Magnum Energy will return the product prepaid to the original purchaser via a Magnum-selected non-expedited surface freight within the contiguous United States and Canada; this excludes Alaska and Hawaii.
6. If Magnum repairs or replaces a product (with either a new or refurbished product), its warranty continues for the remaining portion of the original warranty period or 90 days from the date of the return shipment to the original purchaser, whichever is greater. All replaced products and parts removed from repaired products become the property of Magnum Energy.
7. This limited warranty is voided if:
 - the product has been modified without authorization,
 - the serial number has been altered or removed,
 - the product has been damaged through abuse, neglect, accident, high voltage or corrosion.
 - the product was not installed and operated according to the owner's manual.

BEFORE RETURNING ANY UNIT, CONTACT MAGNUM ENERGY FOR A RETURN MATERIAL AUTHORIZATION (RMA) NUMBER.

6.0 Warranty and Service

6.1 How to Receive Repair Service

If your Product requires warranty service or repair, contact either:

1. An Authorized Service Center, which are listed on the Magnum Energy Website at <http://www.magnumenergy.com/ServiceCenters.htm>, or
2. Magnum Energy, Inc. at:

Telephone: 425-353-8833

Fax: 425-353-8390

Email: warranty@magnumenergy.com

If returning your Product directly to Magnum Energy for repair, you must:

- Return the unit in the original, or equivalent, shipping container
- Receive a Return Materials Authorization (RMA) number from the factory prior to the return of the Product to Magnum Energy for repair.
- Place RMA numbers clearly on the shipping container or on the packing slip.

When sending your Product for service, please ensure it is properly packaged. **Damage due to inadequate packaging for shipment is not covered under warranty.** We recommend sending the Product by traceable or insured service.

Appendix

Optional Accessories for the ME-AGS-S

The following two Pigtail Adapters are available from Magnum Energy for use with the ME-AGS-S. They are useful in applications where there is a requirement to conveniently and automatically turn the generator on/off externally through a manually controlled switch or from an automatically controlled switching device (i.e., use air conditioner thermostat controls to turn gen on to run air conditioner):

The **ME-PT1** (Pigtail One-wire) adapter is designed to allow the AGS to start the connected generator when an external +12 volt DC supply is applied.

The **ME-PT2** (Pigtail Two-wire) adapter is designed to allow the AGS to start the connected generator by an external two-contact switch.

Additional Magnum Equipment/Accessories

The following components are also available from Magnum Energy:

MS Series Inverter/Chargers

The MS Series Inverter/Charger is a pure sine wave inverter designed specifically for mobile and off-grid applications. The MS Series has a built-in PFC (Power Factor Corrected) charger that uses 25-30% less AC current than standard chargers. The MS Series also provides multiple ports, including an RS485 communication port for network expansion, and a remote port.

MMP Series Enclosures

The MMP175-30D, MMP175-60S, MMP250-30D, and MMP250-60S enclosures are specifically designed for single inverter applications. The MMP Series enclosures combine all of the major components required for a renewable energy system — inverter/battery disconnect, AC overcurrent protection, grounding connections, and a full system inverter bypass — into a single, easy to install pre-wired enclosure.

Advanced Remote Control Display

The ME-ARC allows advanced features of the Magnum inverter or accessory to be configured. This LCD remote display includes a FAVS button to access your favorite features quickly and provides advanced monitoring/troubleshooting.

Basic Remote Control Display

The ME-RC Remote Control is simple to use; an easy-to-read LCD screen and “at a glance” LEDs display complete inverter/charger status. Soft keys provide simple access to menus and a rotary encoder knob allows you to scroll through and select a wide range of settings such as Inverter ON/OFF, Charger ON/OFF, Shore Power Breaker Setting, AGS Control, and Meter, Setup, and Tech menus.

Battery Monitor

The Battery Monitor Kit (ME-BMK) is a single battery bank amp-hour meter that monitors the condition of the battery and provides information to let you know how much energy you have available. It also lets you plan your electrical usage to ensure the battery is not being over-discharged.

Fuse Block/Fuses

The Magnum Fuse/Fuse-blocks are used to protect the battery bank, inverter, and cables from damage caused by DC short circuits and overloads. They include a slow-blow fuse with mounting block and protective cover. The 125 and 200 amp models use an ANL type fuse and the 300 and 400 amp models use a Class-T fuse.

MAGNUM **MAGNUM** E N E R G Y

Magnum Energy, Inc.
2211 West Casino Rd.
Everett, WA 98204
Phone: 425-353-8833
Fax: 425-353-8390
Web: www.magnumenergy.com