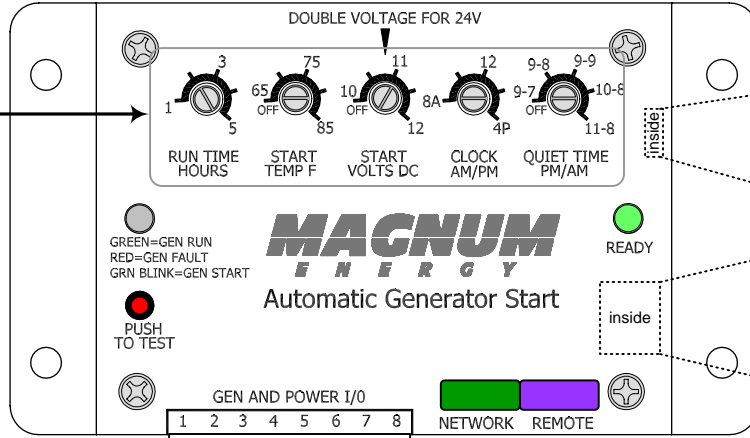


ME-AGS-WB / ME-AGS-N wiring diagram – For Kubota (GL6500S Diesel Generators)

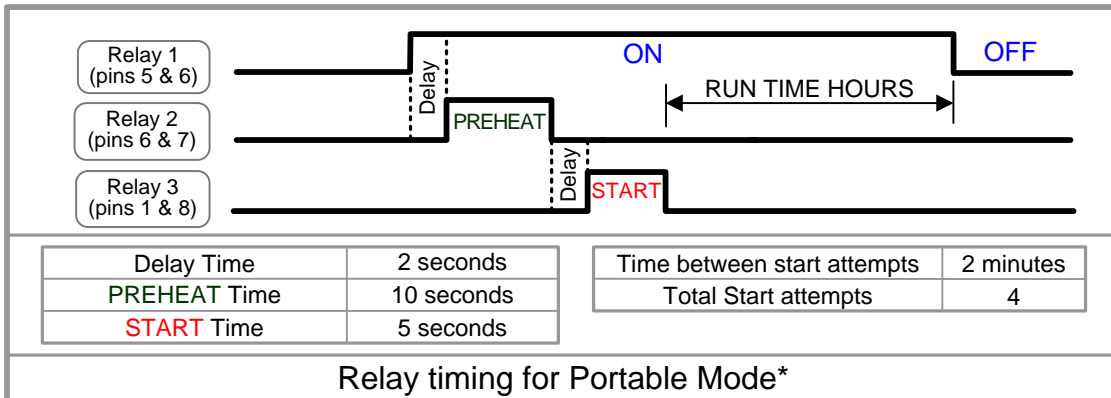
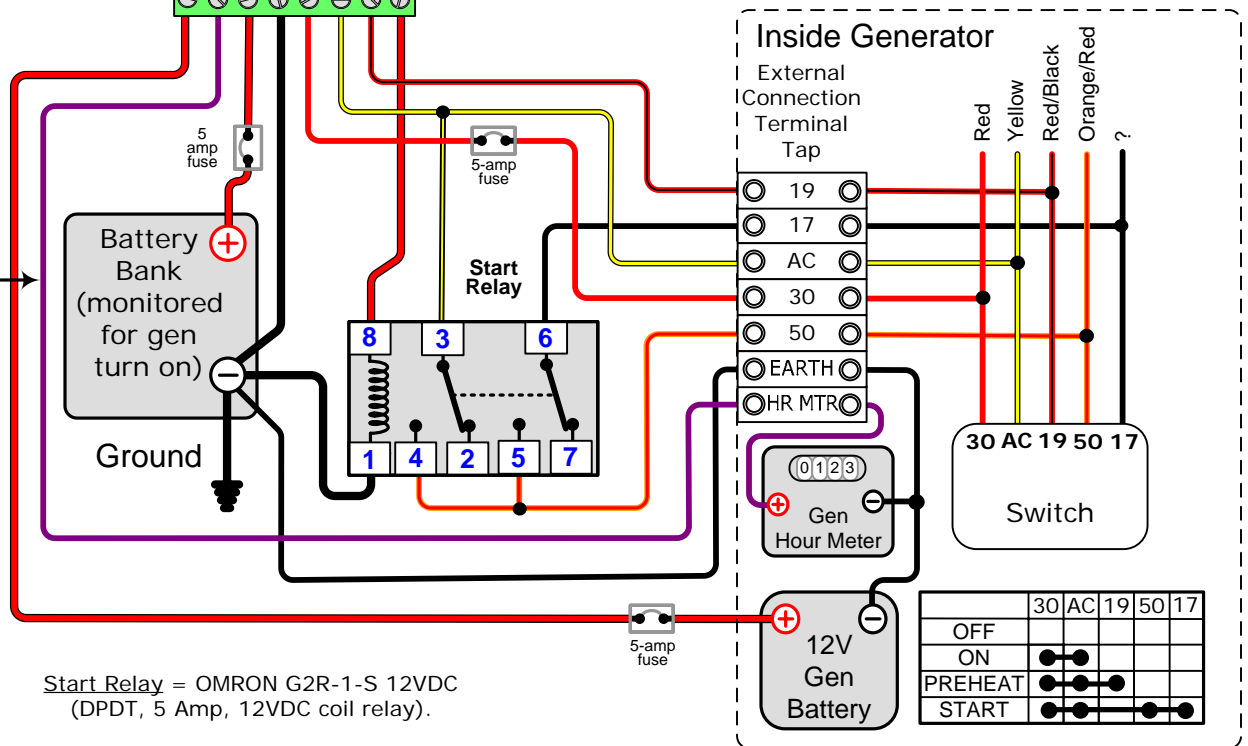
These 5 adjustments are not active when a ME-RC Remote Control with revision 1.5 or higher is used. They are set using displays under the AGS button on the remote control.



Input DC voltage jumper (set to battery bank voltage)

Dip-switch configuration (Portable Mode*)

Gen Run Signal (input to pin 2 must be 10 to 40 DC volts only while generator is running); can be the generator hour-meter or a 12vdc pilot/run light



* to enable Portable Mode, the ME-AGS-WB must be revision 4.1 or higher

Magnum Energy, Inc. provides this diagram to assist in the installation of the Auto-Generator Start controller. Since the use of this diagram and the conditions or methods of installation, operation and use are beyond the control of Magnum Energy, Inc., we do not assume responsibility and expressly disclaim liability for loss, damage or expense arising out of the installation, operation and use of this unit.