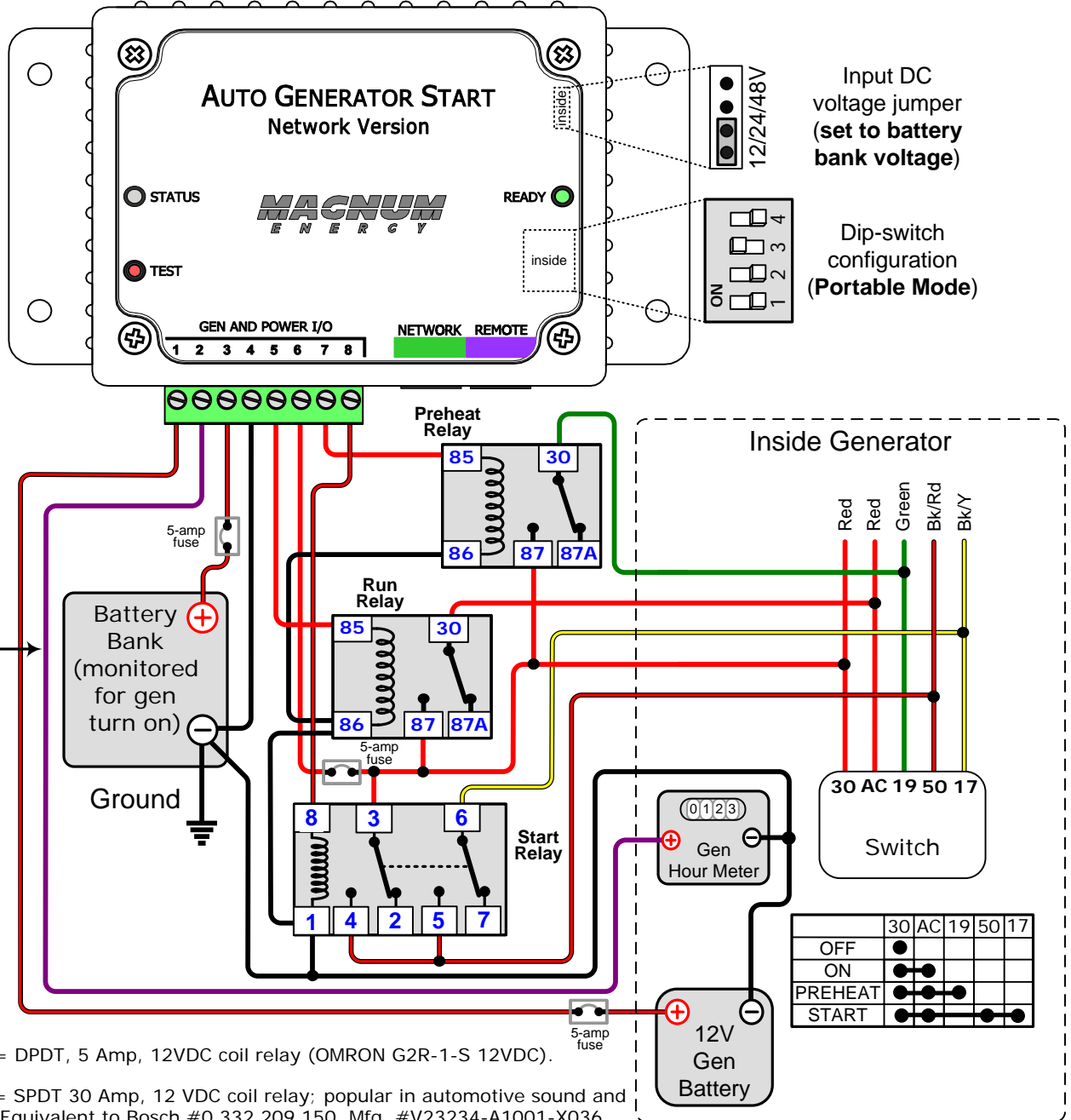


ME-AGS-N wiring diagram – For Yamaha (ELD6500S Diesel Generators)

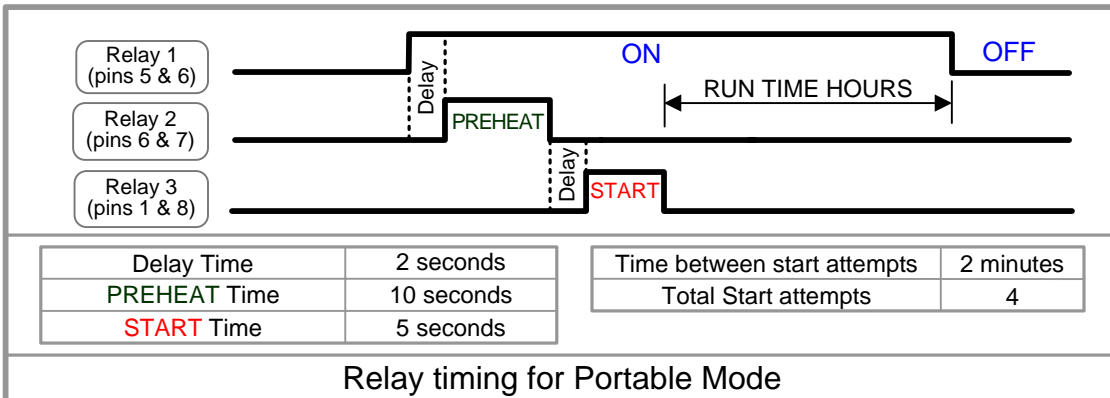
IMPORTANT:
Each wire between the external relays and generator must be sized to handle the required amperage of that circuit.



Start Relay = DPDT, 5 Amp, 12VDC coil relay (OMRON G2R-1-S 12VDC).

Preheat and run Relay = SPDT 30 Amp, 12 VDC coil relay; popular in automotive sound and security installations. Equivalent to Bosch #0 332 209 150. Mfg. #V23234-A1001-X036.

	30	AC	19	50	17
OFF	●				
ON	●	●			
PREHEAT	●	●	●		
START	●	●	●	●	



Relay timing for Portable Mode

Magnum Energy, Inc. provides this diagram to assist in the installation of the Auto-Generator Start controller. Since the use of this diagram and the conditions or methods of installation, operation and use are beyond the control of Magnum Energy, Inc., we do not assume responsibility and expressly disclaim liability for loss, damage or expense arising out of the installation, operation and use of this unit.