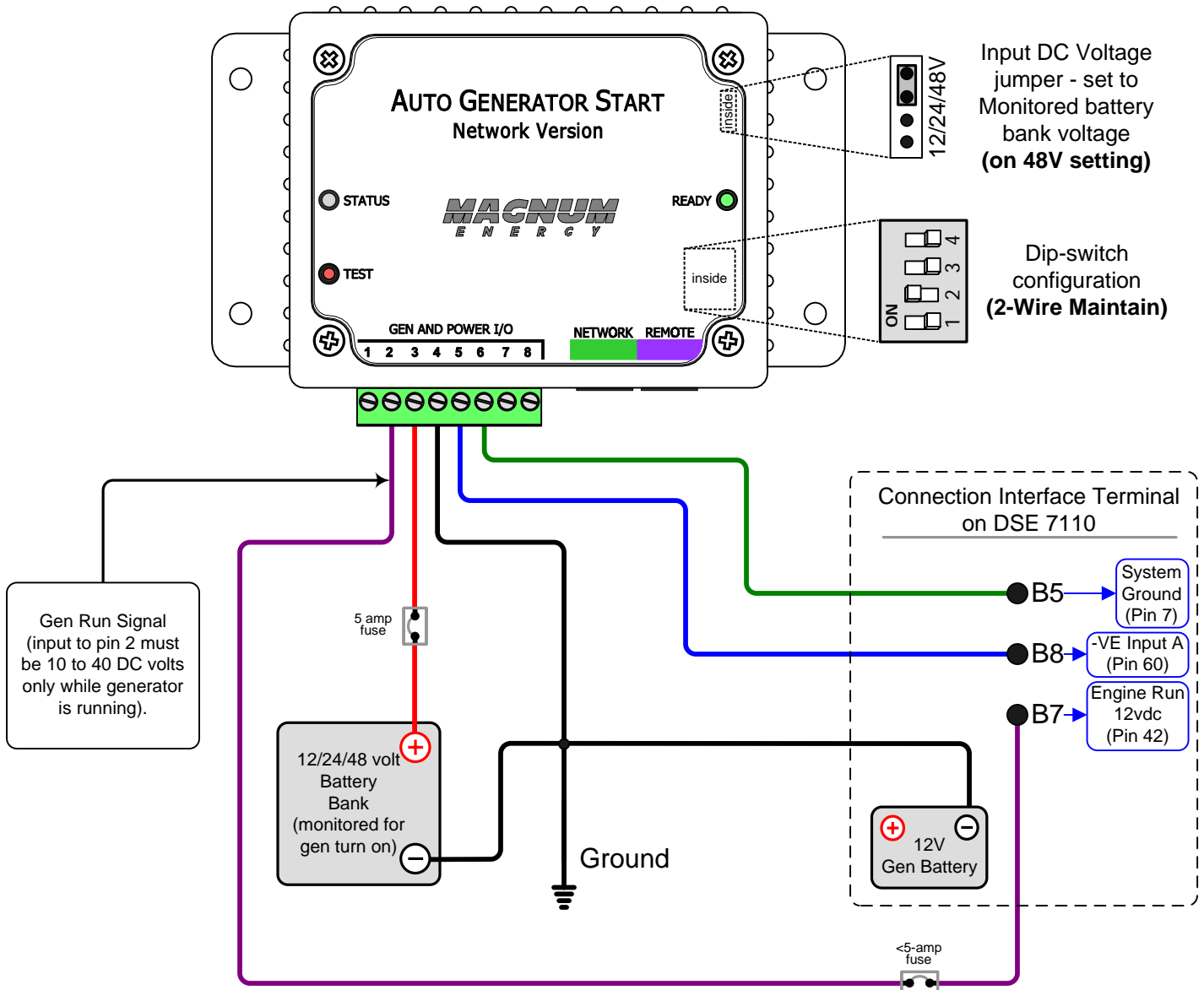


# ME-AGS-N wiring diagram – For Lister Petter LPW 2/3/4 Generators (With DSE 7110)



Relay Timing for Two-Wire Mode			
Relay 1 (pins 5 & 6)	OFF	Time to sense 'Gen Run' signal	2 Min.
Relay 2 (pins 6 & 7)	R2	R2 Time	10 Sec.
Relay 3 (pins 1 & 8)	OFF	Delay Time	2 Sec.
		Time Between Start attempts	2 min.
		Total Start Attempts	4

Magnum Energy, Inc. provides this diagram to assist in the installation of the Auto-Generator Start controller. Since the use of this diagram and the conditions or methods of installation, operation and use are beyond the control of Magnum Energy, Inc., we do not assume responsibility and expressly disclaim liability for loss, damage or expense arising out of the installation, operation and use of this unit.