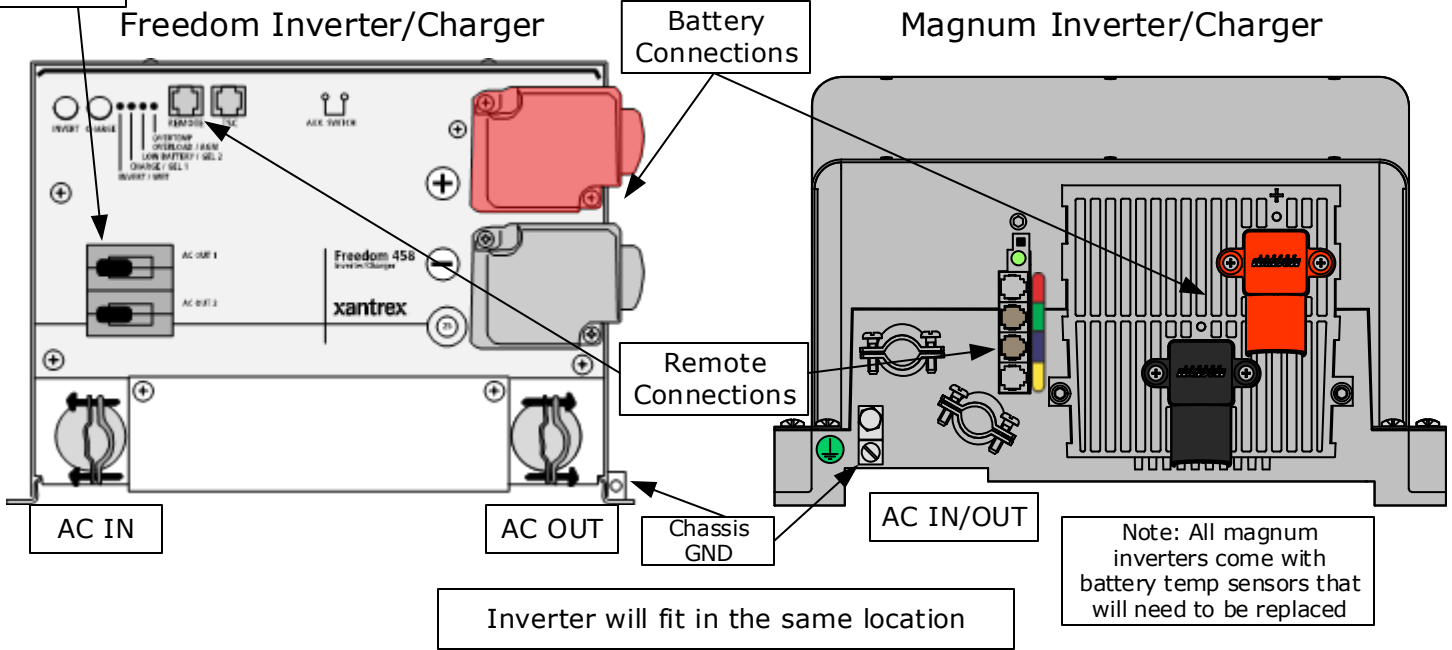


MAGNUM DIMENSIONS

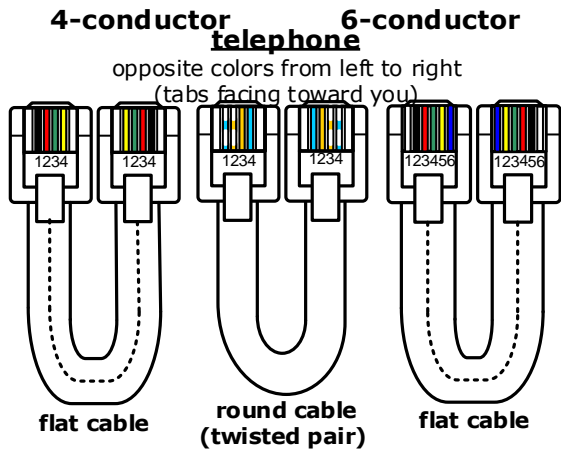
Replace your Freedom With a Magnum

Identify your Freedom	Choose your Magnum	
Modified Sine Wave	Modified Sine Wave	Pure Sine Wave
Freedom 458 -10	MM1212	MMS1012
Freedom 458 -15	MM1212 or ME2012	MS2012
Freedom 458 -15D	MM1212 or ME2012-20B	MS2012-20B
Freedom 458 -20	ME2012	MS2012
Freedom 458 -20D	ME2012-20B	MS2012-20B
Freedom 458 -25	ME2512	MS2812
Freedom 458 -30	ME3112	MS2812

Optional Output Breakers



Use the same Telephone Cable already routed in the coach!



All units field repairable!

Up to a 3 Year Warranty

Additional product information featured in Magnum | Dimensions product manual



Remotes fit in the same cutout

