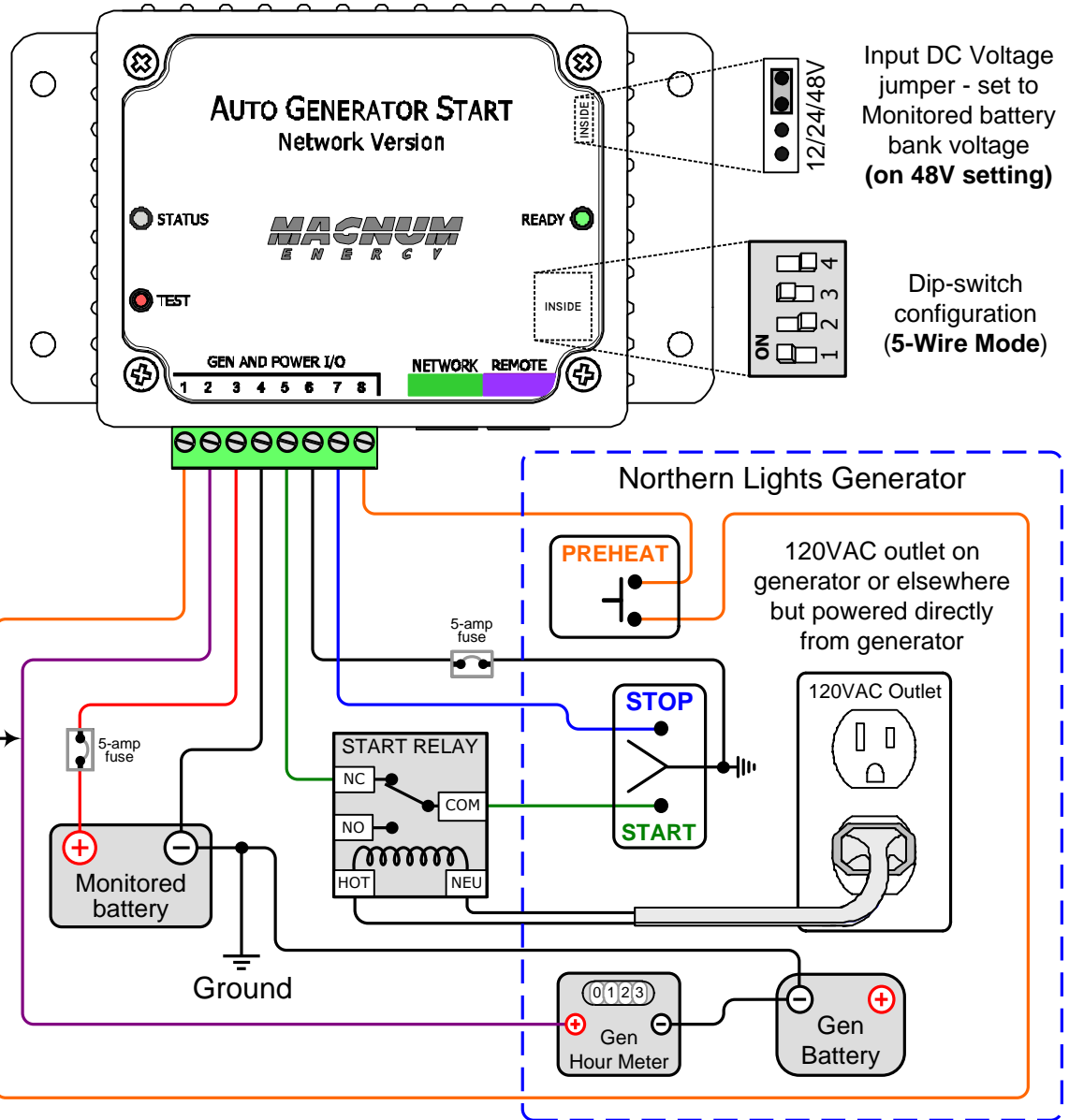


ME-AGS-N wiring diagram – For Northern Lights (NL-673)

Note – The START RELAY is used to minimize the time the starter is held cranking. This relay connects the AGS start circuit until the generator output voltage increases. Once the generator reaches a minimum voltage level, the relay will be energized and open the starter circuit wire. When the AGS commands the generator to stop, the relay will dropout and connect the AGS start circuit ready for the next gen start request.



For the START RELAY, use a VOLTAGE MONITOR RELAY that has over/under voltage set-points. This is to adjust the relay to prevent it from energizing until the generator output level is stable enough to power a load. Examples are: **VMKP120A** (www.macromatic.com) or **CSJ-38-70010** (www.tycoelectronics.com)

ME-AGS-N Relay Timing Information		
GEN AND POWER I/O		
Relay 1 (terminals 5 & 6)	START	Stop Time 10 Sec.
Relay 2 (terminals 6 & 7)	STOP	Start Delay Time 14 Sec.
Relay 3 (terminals 1 & 8)	PREHEAT	Start Time 10 Sec.
	Start Delay	Preheat Delay Time 4 Sec.
	RUN TIME HOURS	Preheat Time 25 Sec.
	Delay	Next Retry Time 2 Min.
		Total Start Attempts 4

Magnum Energy, Inc. provides this diagram to assist in the installation of the Auto-Generator Start controller. Since the use of this diagram and the conditions or methods of installation, operation and use are beyond the control of Magnum Energy, Inc., we do not assume responsibility and expressly disclaim liability for loss, damage or expense arising out of the installation, operation and use of this unit.