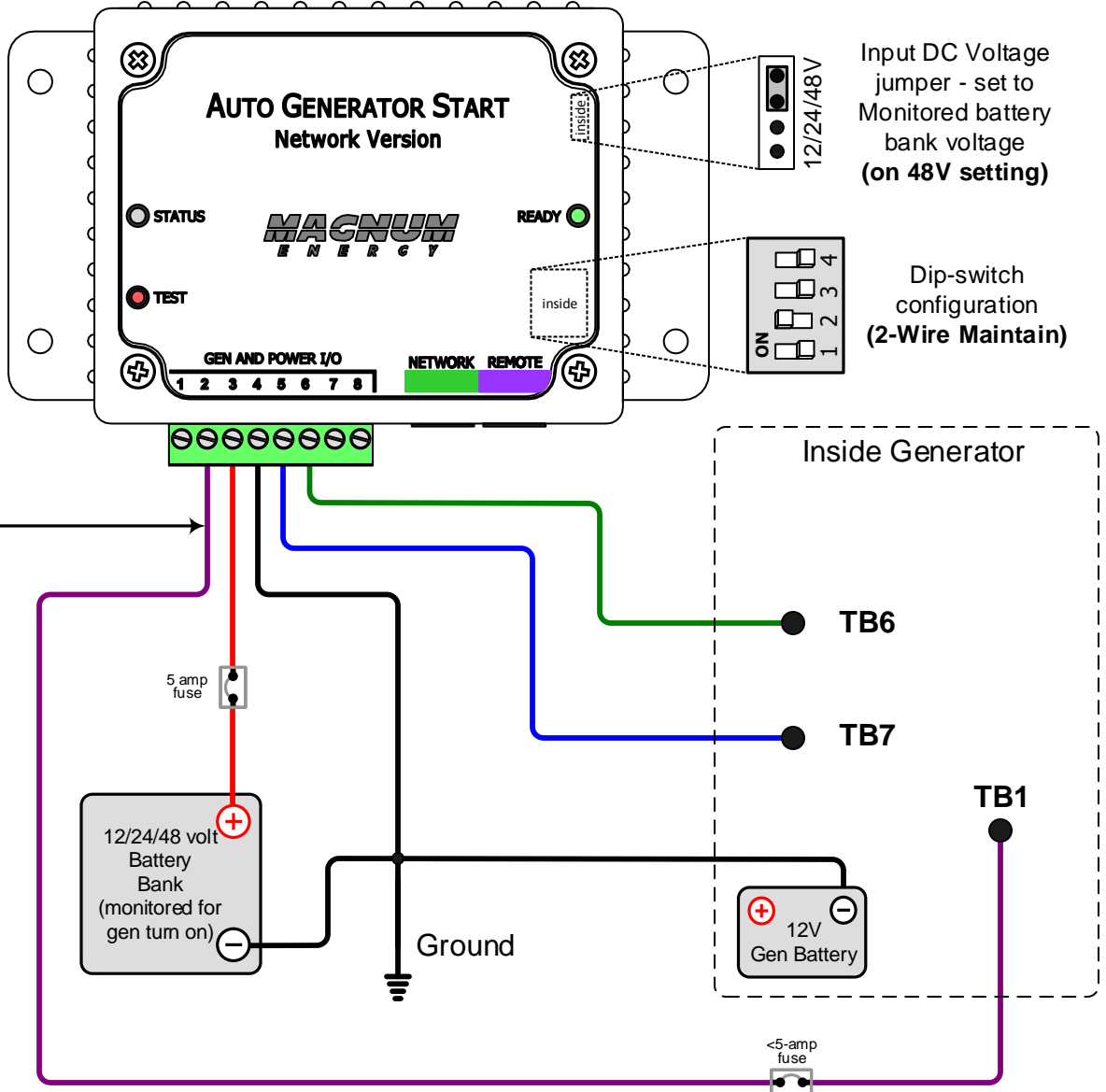


# ME-AGS\* wiring diagram

## For Onan C13N6H, C17N6H, C20N6H, and C20N6HC Generators

**NOTE:**  
ME-AGS-N is shown, but ME-AGS-S can be used also.



Gen Run Signal (input to pin 2 must be 10 to 40 DC volts only while generator is running). It can be a generator hour-meter or pilot light or an alternative source shown in the manual.

Relay Timing for Two-Wire Mode			
Relay 1 (pins 5 & 6)	OFF	Time to sense 'Gen Run' signal	2 Min.
Relay 2 (pins 6 & 7)	R2	R2 Time	10 Sec.
Relay 3 (pins 1 & 8)	Delay	Delay Time	2 Sec.
RUN TIME		Time Between Start attempts	2 min.
OFF		Total Start Attempts	4

Magnum Energy, Inc. provides this diagram to assist in the installation of the Auto-Generator Start controller. Since the use of this diagram and the conditions or methods of installation, operation and use are beyond the control of Magnum Energy, Inc., we do not assume responsibility and expressly disclaim liability for loss, damage or expense arising out of the installation, operation and use of this unit.